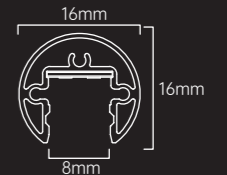
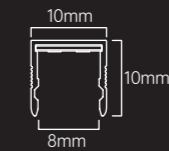
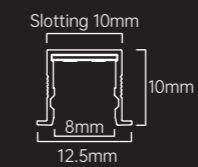
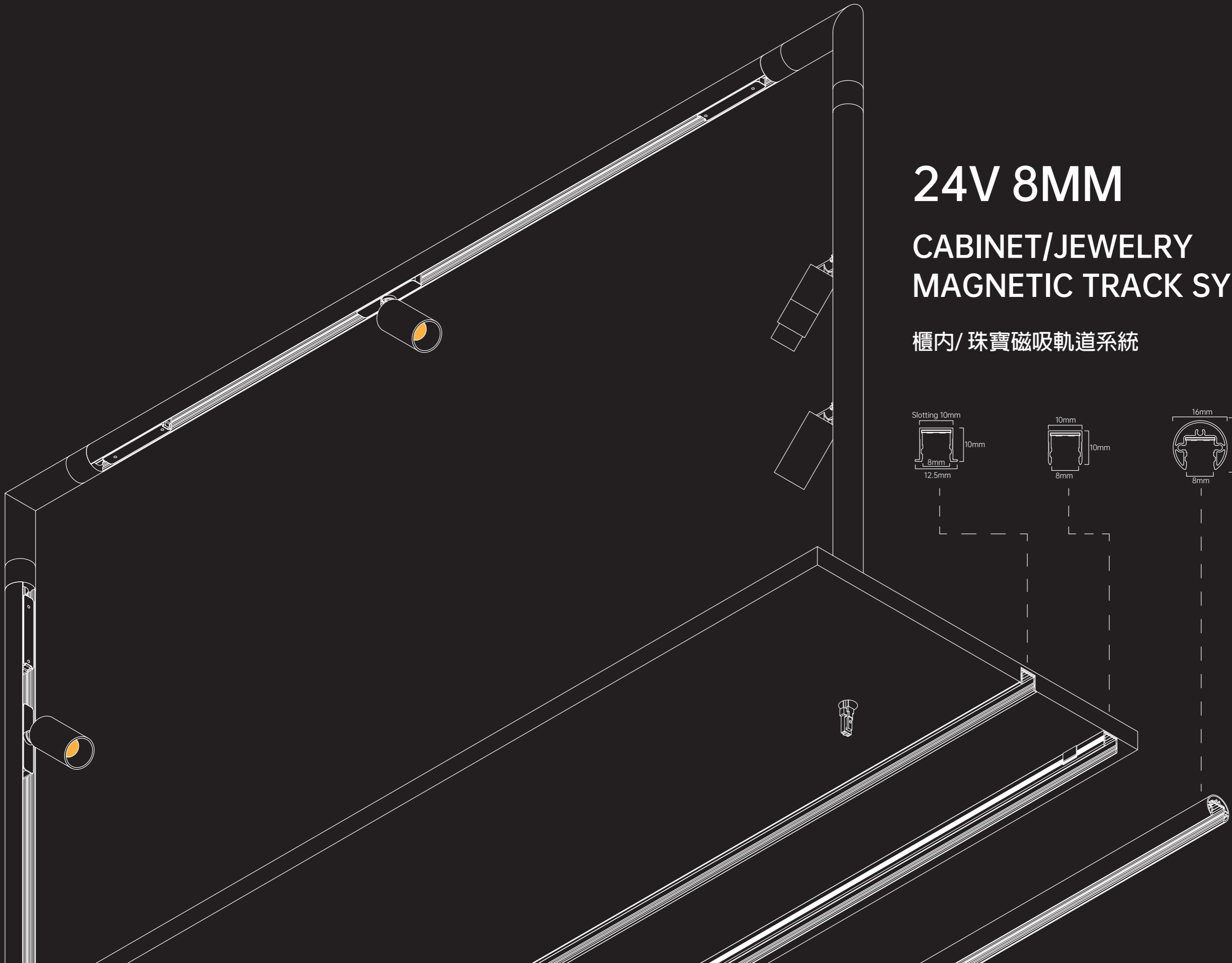


24V 8MM

CABINET/JEWELRY MAGNETIC TRACK SYSTEM

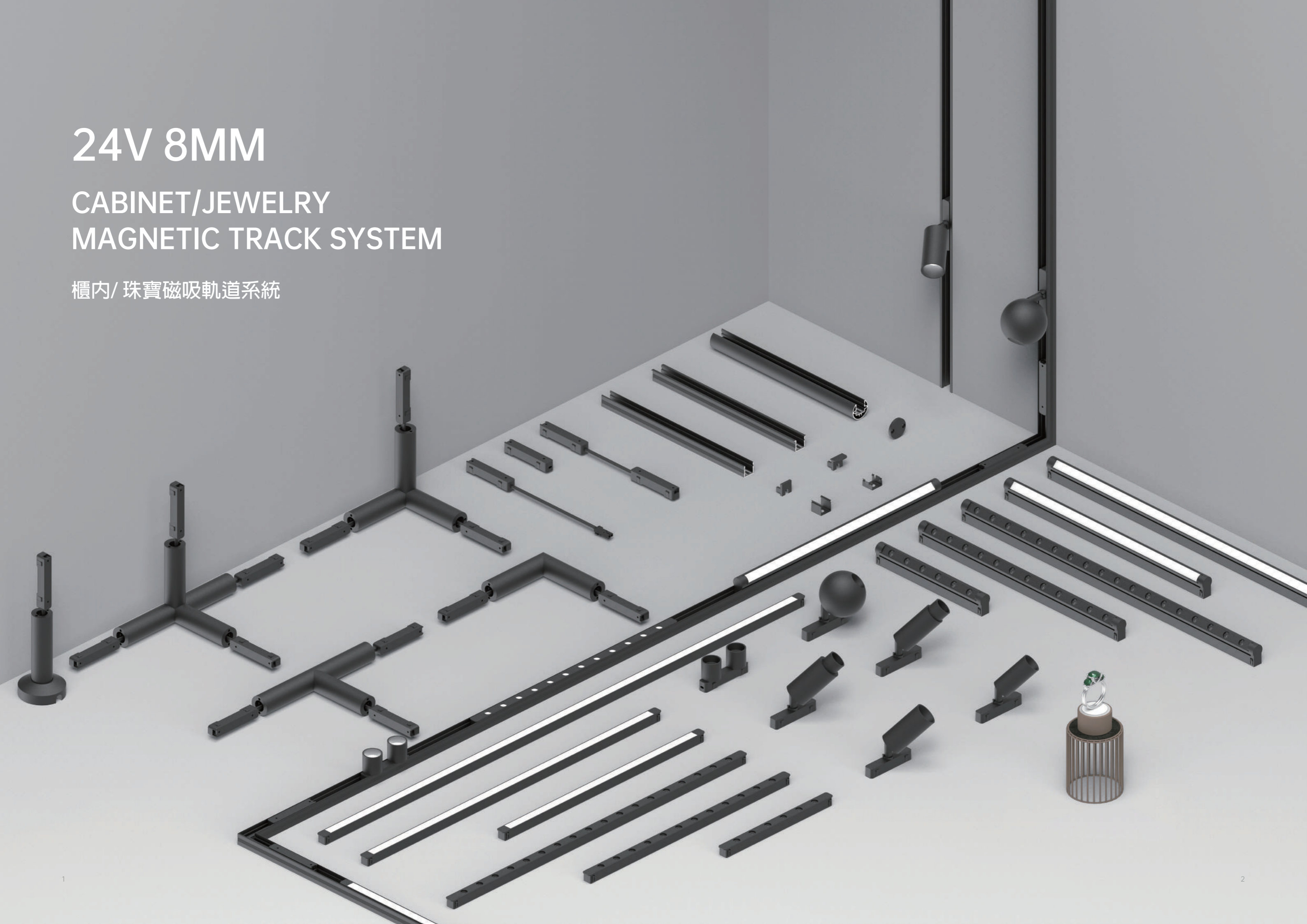
櫃內/珠寶磁吸軌道系統



24V 8MM

CABINET/JEWELRY MAGNETIC TRACK SYSTEM

櫃內/珠寶磁吸軌道系統

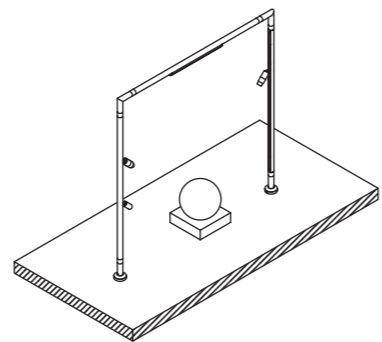
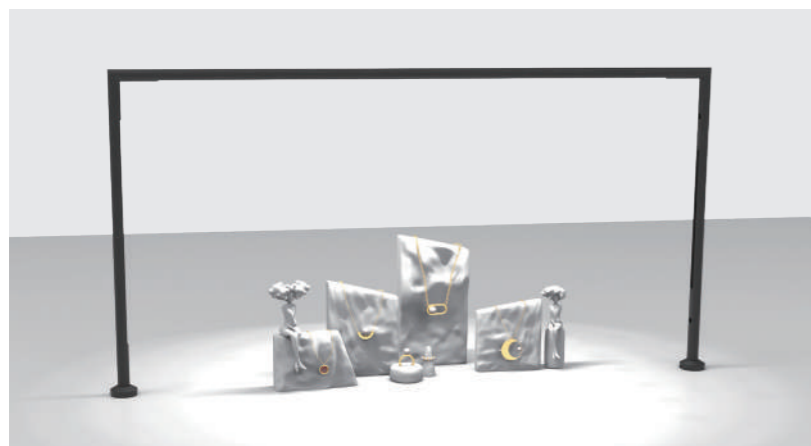


24V 8MM 櫃體嵌入式安裝

The cabinet is installed in an embedded manner

The built-in magnetic track light in the cabinet is a powerful tool for achieving high-end and professional jewelry display. Although it has high requirements for the coordination of the initial design and installation, the neat, high-end visual effect and flexible lighting control ability ultimately achieved are completely worthwhile.



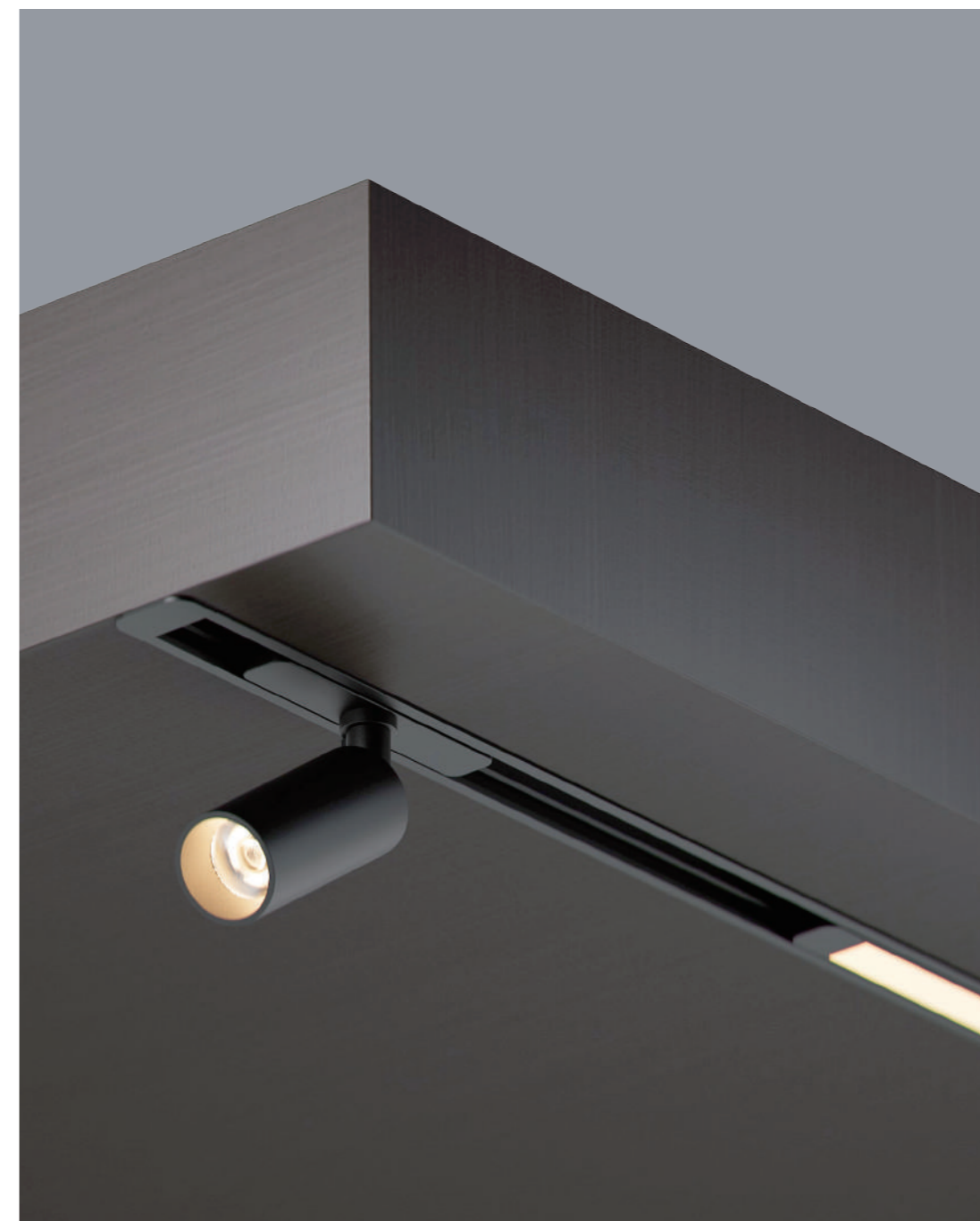
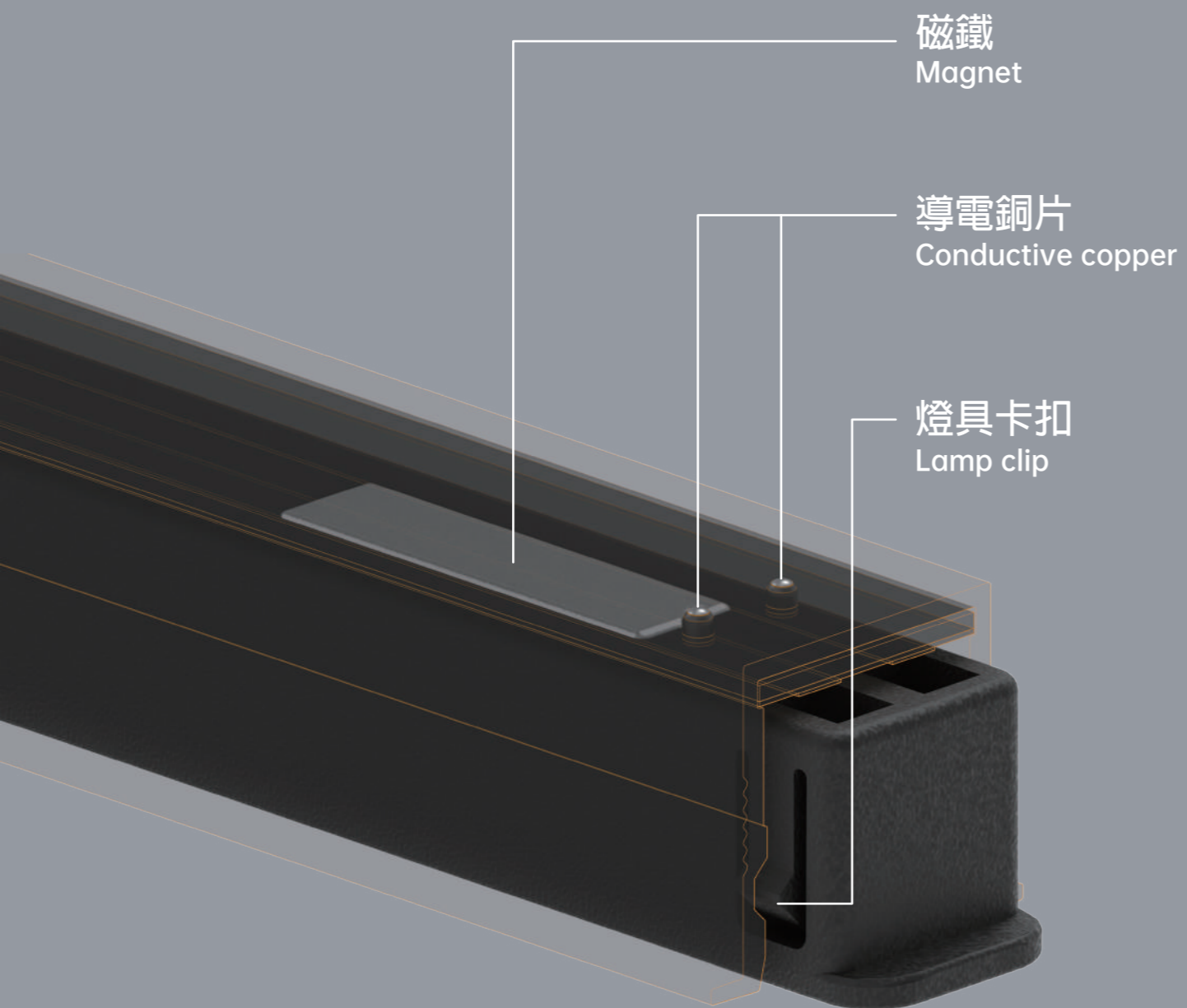


24V 8MM 立桿固定安裝

靈活選用燈具並自由移動照燈位置，可在一根立桿上搭配不同型號的燈具，或在同一展櫃中使用多根立桿，實現“重點照明”與“環境照明”的結合，營造出更有層次和深度的燈光效果。

The vertical pole is fixedly installed

Change the lamps at will or move freely in the track trough to adapt to the flexibility and adaptability of item lighting. Different types of lamp heads can be matched on a single pole, or multiple poles can be used in the same display cabinet to achieve the combination of "key lighting" and "ambient lighting", creating a more layered and deep lighting effect.

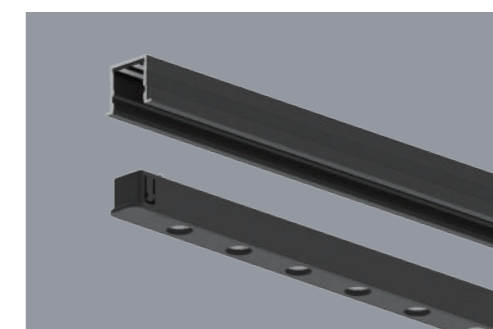


24V 8MM 磁吸燈具

產品為DC24V安全電壓，可徒手安裝燈具，直接插入軌道槽裡，利用磁吸和卡扣固定。

Magnetic track light

The product operates on a DC24V safe voltage. The lamp can be installed by hand and directly inserted into the track slot, and is fixed by magnetic attraction and clips.

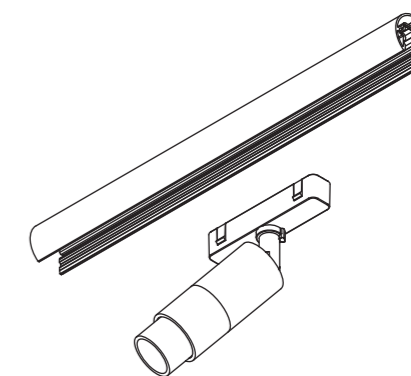


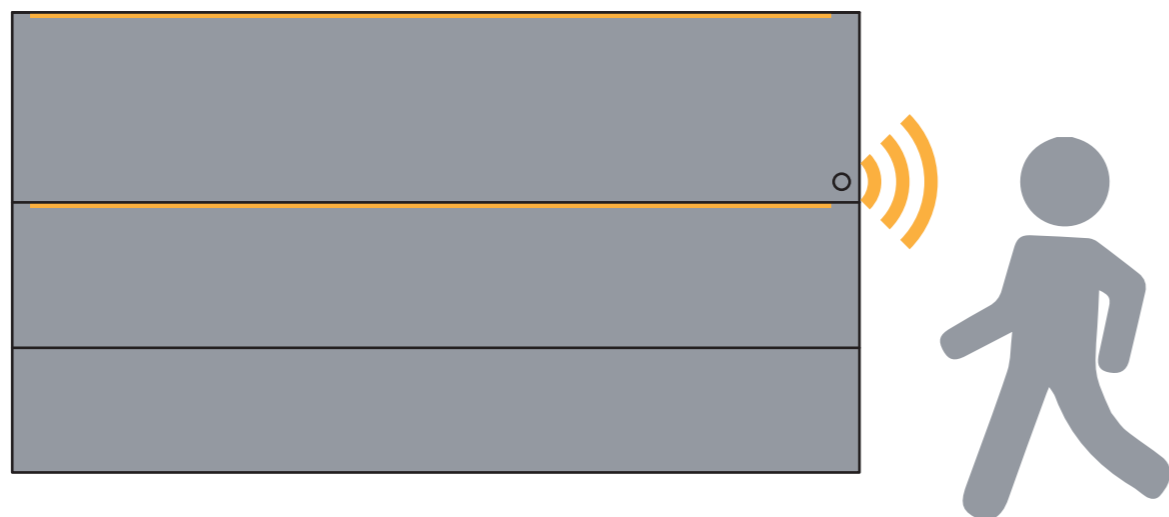


24V 8MM 迷你磁吸燈

燈光效果可充分發揮，照射在珠寶、首飾等物品中，盡顯奢華。

Mini magnetic lamp, small and exquisite
The lighting effect can be maximized,
shining on jewelry, ornaments and other items,
exuding luxury.





手掃感應
Hand sweep sensor



人體感應
Human body sensing



門控感應
Door control sensing



觸摸感應
Touch sensing

兼容感應開關

櫃體燈感應開關能實現“開門亮燈、關門熄燈”的智能照明體驗。他們大多採用手掃感應、人體感應、門控感應或觸摸感應等技術,安裝上也有多種選擇。

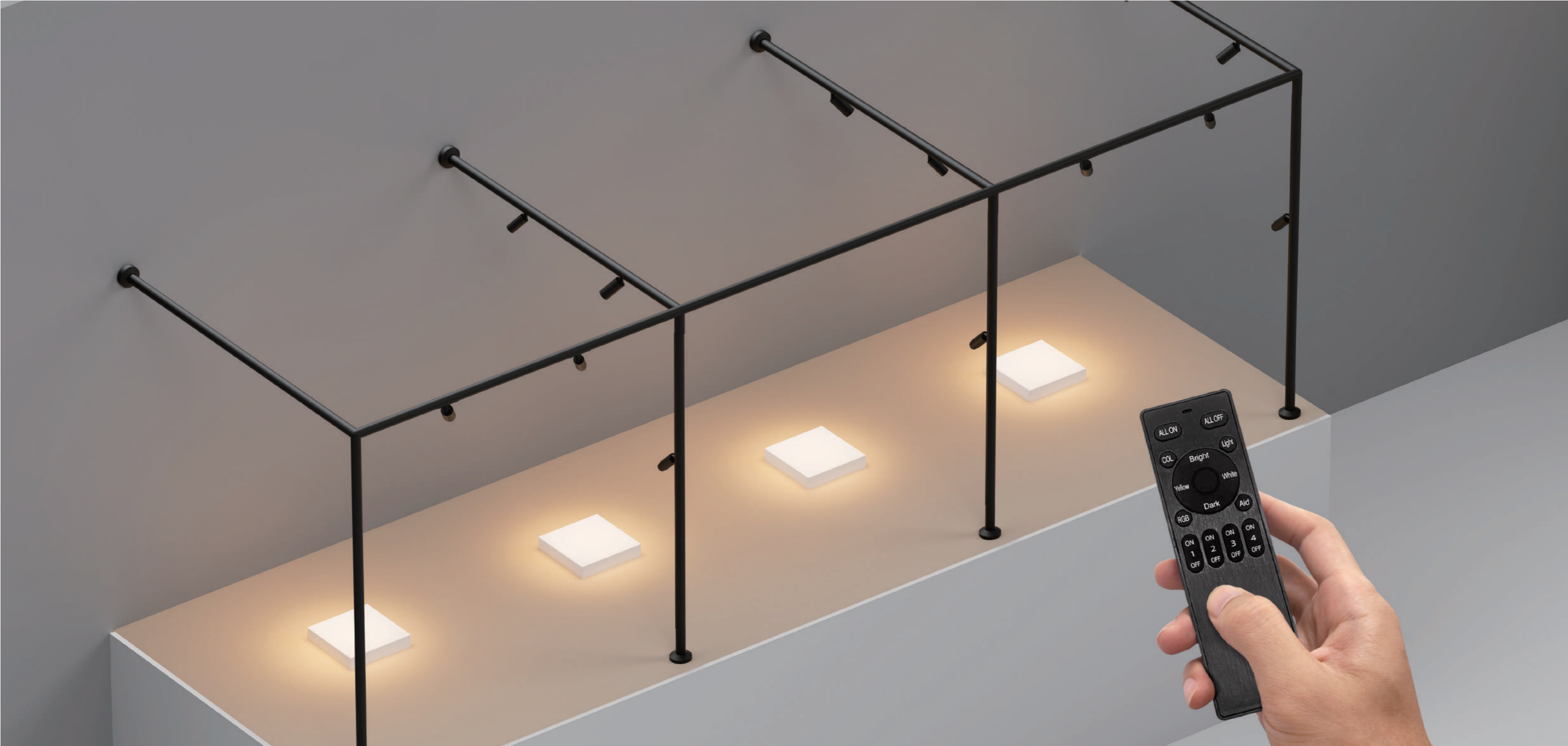
Compatible induction switch

The cabinet light sensor switch enables the cabinet to achieve an intelligent lighting experience of "lights on when the door is opened and lights off when the door is closed". Most of them adopt technologies such as hand-scan sensing, human body sensing, door control sensing or touch sensing, and there are also multiple installation options.

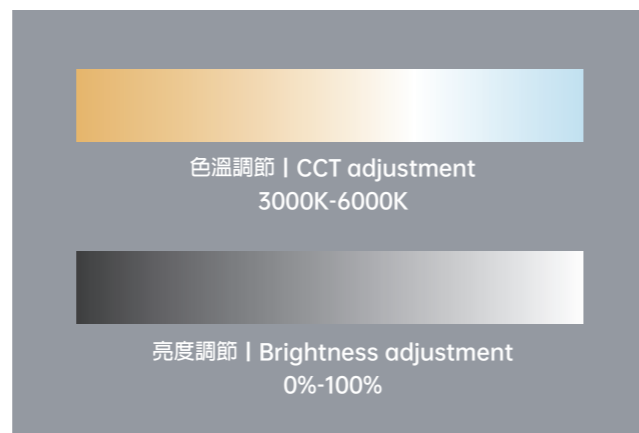








2.4G Wireless Control



雙色燈具與24V 2.4G集控電源搭配 實現2.4G調光調色無線控制

- 亮度調節：支持1%到100%的亮度精細調節。
- 色溫調節：可調節燈光色溫，在3000 K-6000 K平滑切換。情景模式：支援一鍵切換多種預設燈光情景。
- 分組控制：一個遙控器可對多個集控控制器分組，方便對特定區域燈具進行獨立控制。
- 狀態記憶：斷電重啟後，燈具能記憶斷電前的燈光狀態（亮度、色溫）。
- 信號控制距離：20M。

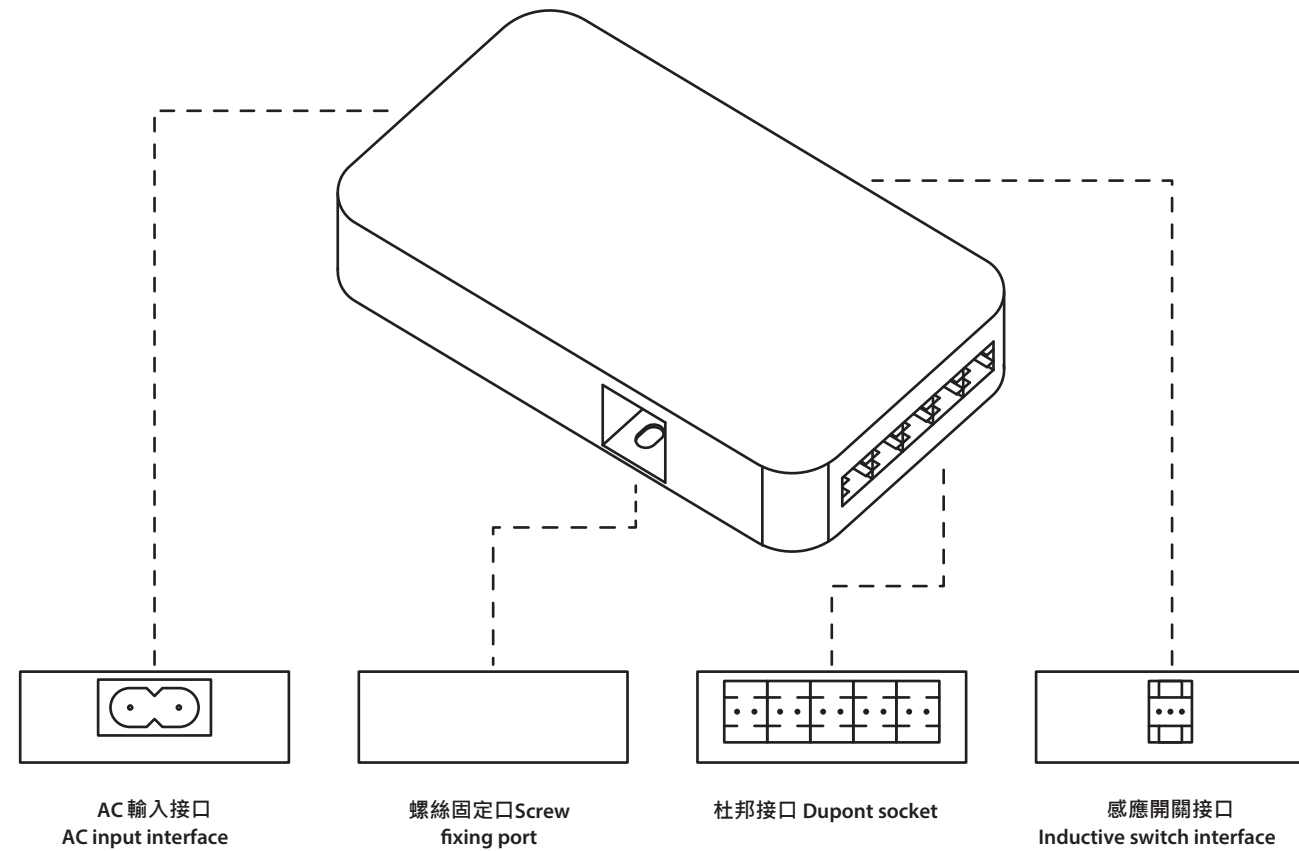
The 3CCT lamps are matched with 24V 2.4G centralized control power supply

Realize wireless control of 2.4G dimming and color adjustment groups

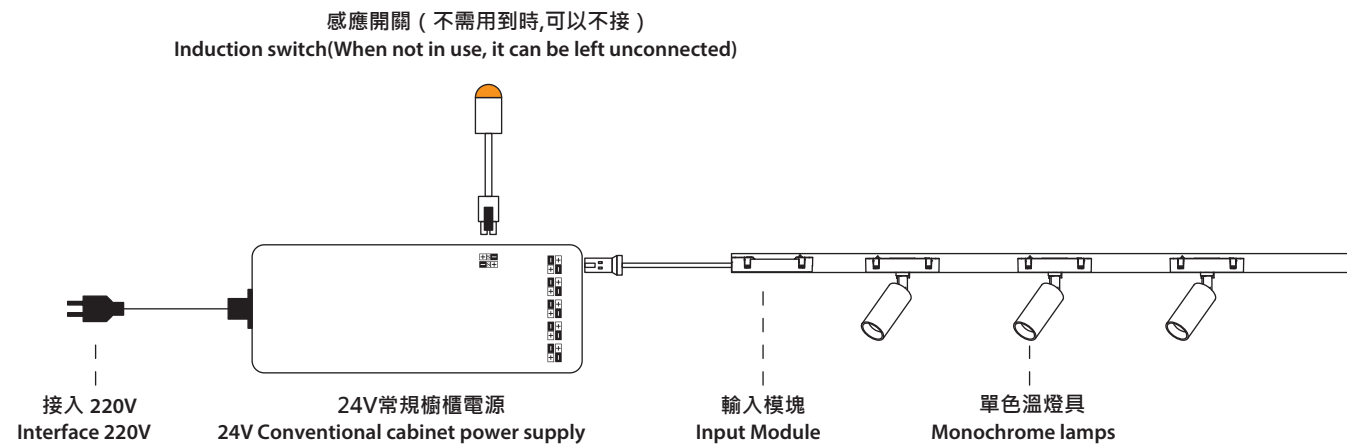
- Brightness adjustment: Supports fine brightness adjustment from 1% to 100%.
- CCT adjustment: The color temperature of the light can be adjusted, smoothly switching between 3000K and 6000K.
- Scene Mode: Supports one-click switching between multiple preset lighting scenes.
- Group control: One remote control can group multiple centralized control controllers, facilitating independent control of lamps in specific areas.
- State memory: After a power failure and restart, the lamp can remember the light state (brightness, color temperature) before the power failure.
- Signal control distance: 20 meters.



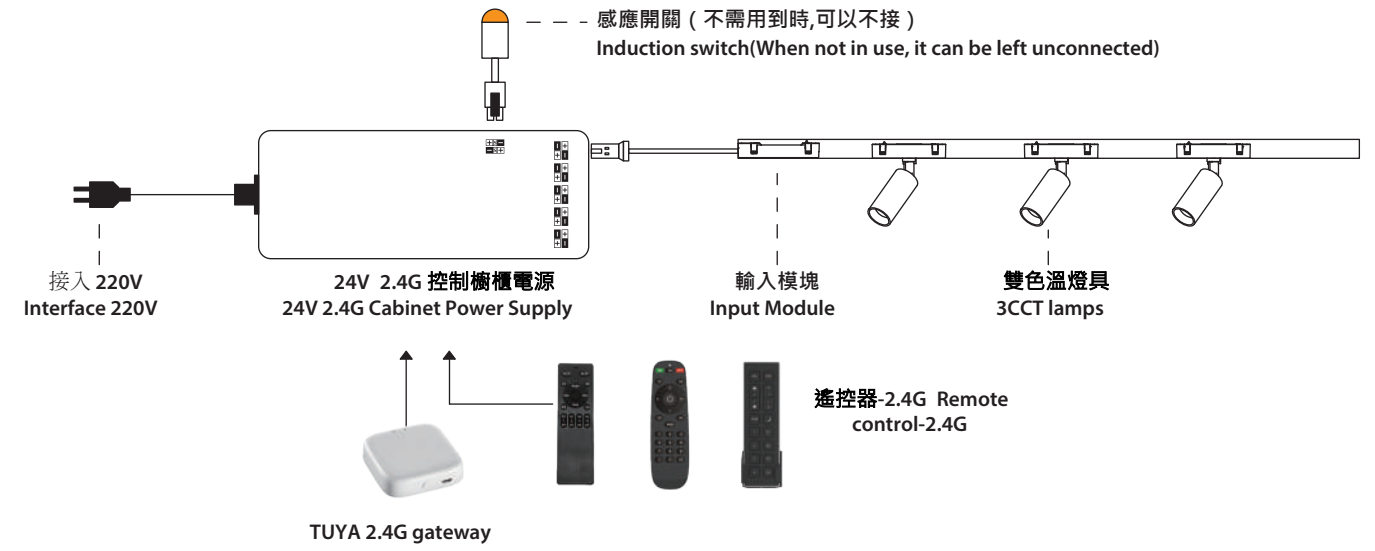
使用24V櫥櫃電源 Use 24V Cabinet power supply



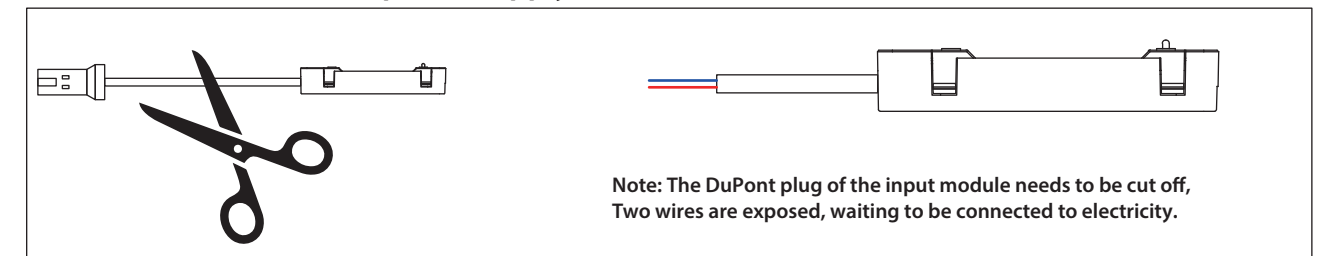
ON/OFF 24V常規櫥櫃電源 24V Conventional cabinet power supply



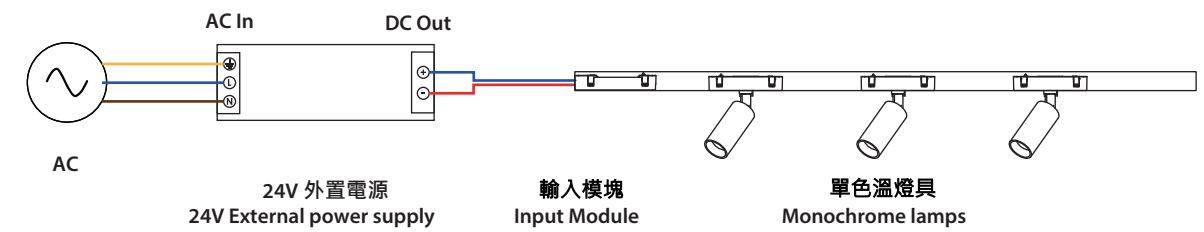
24V 2.4G控制櫥櫃電源 24V 2.4G Cabinet Power Supply



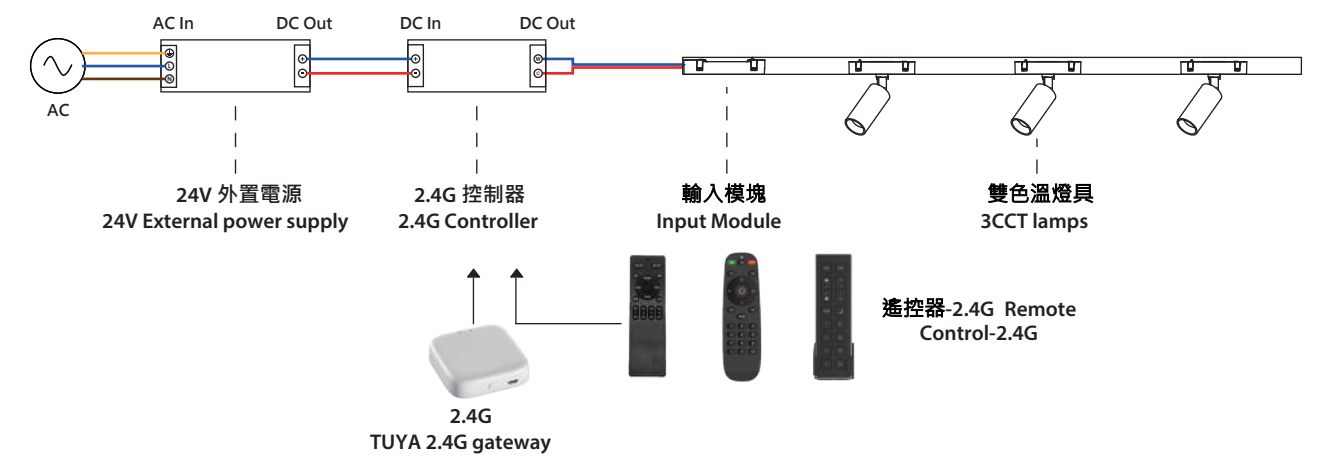
使用其他外置電源 Use another 24V external power supply



常規開關接線 Conventional switch wiring



2.4G集控 2.4G Group Control



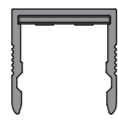
24V 8MM MAGNETIC TRACK SYSTEM

CABINET/JEWELRY

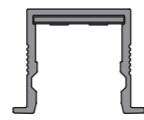
軌道類型

TRACK TYPE

明裝軌道
Surface mounted-track



嵌入式軌道
Embedded track



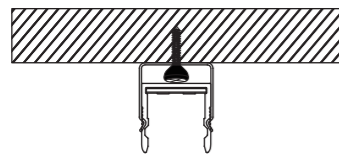
圓形軌道
Circular track



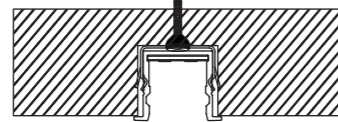
安裝方式

INSTALLATION
METHOD

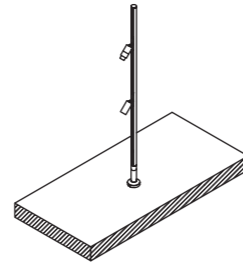
明裝在天花板
Surface mounted on the ceiling



嵌入式安裝
Embedded mounted



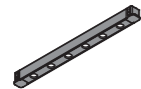
立桿固定式安裝
Fixed pole installation



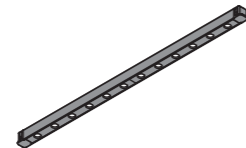
燈具類型

TYPES OF
LAMPS

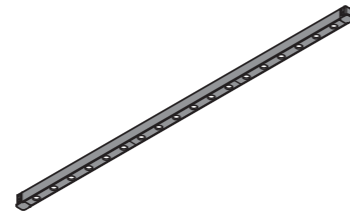
線條格柵燈
Line grille lamp
2W



線條格柵燈
Line grille lamp
4W



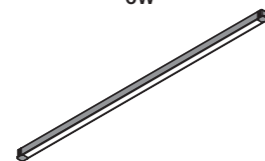
線條格柵燈
Line grille lamp
6W



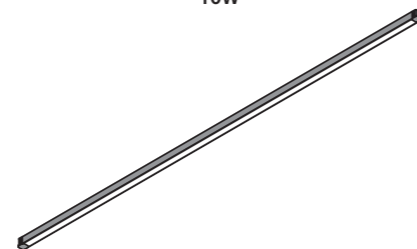
線條泛光燈
Line floodlight
4W



線條泛光燈
Line floodlight
6W



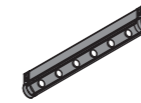
線條泛光燈
Line floodlight
10W



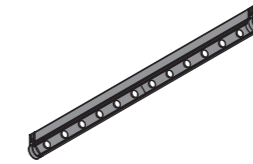
燈具類型

TYPES OF
LAMPS

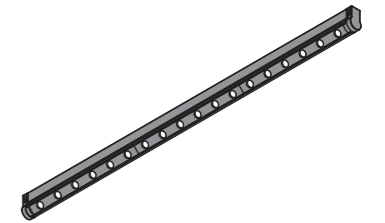
摺疊格柵燈
Folding grille lamp
2W



摺疊格柵燈
Folding grille lamp
4W



摺疊格柵燈
Folding grille lamp
6W



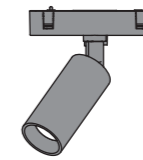
摺疊泛光燈
Folding floodlights
4W



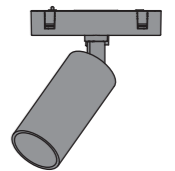
摺疊泛光燈
Folding floodlights
6W



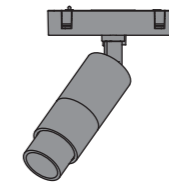
軌道燈
Track light
1.5W



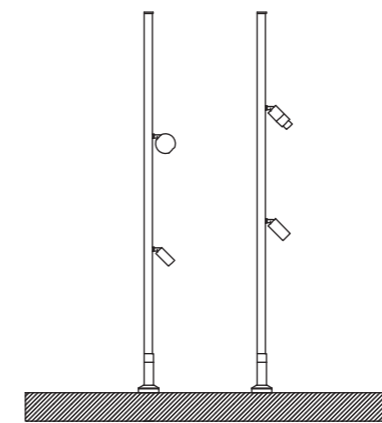
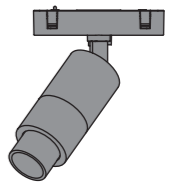
軌道燈
Track light
2.5W



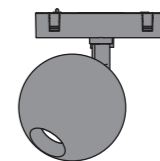
調焦軌道燈
Focusing track light
1.5W



調焦軌道燈
Focusing track light
2.5W



軌道保齡球燈
Track Bowling Lamp
2.5W



嵌入式軌道
Embedded track

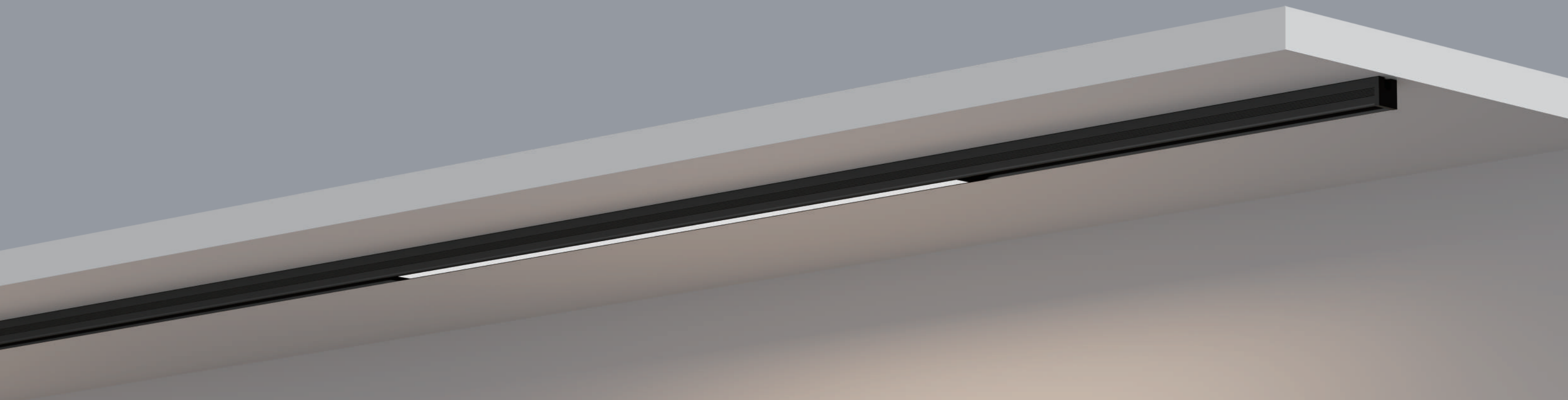
明裝軌道
Surface mounted-track

圓形軌道
Circular track

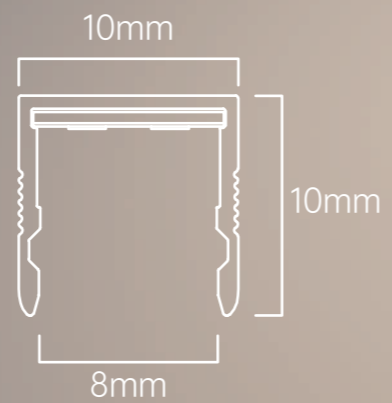


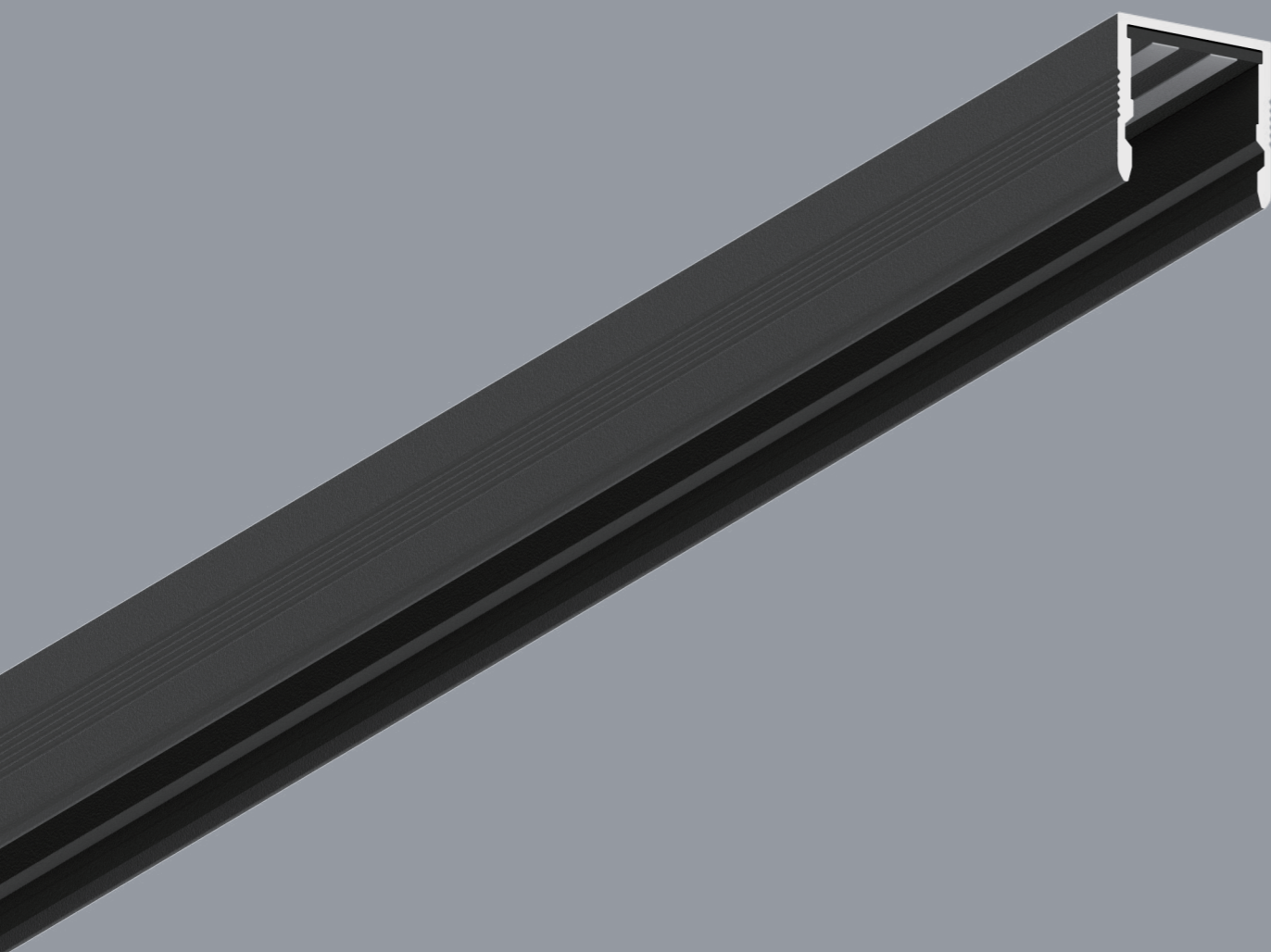
三種安裝方式

There are three installation methods for the magnetic track of the jewelry cabinet: ceiling-mounted, recessed installation, and fixed installation with a vertical pole. The magnetic attraction lamp for the jewelry cabinet is installed through magnetic adsorption, allowing you to easily adjust the position and Angle of the light to achieve precise illumination.

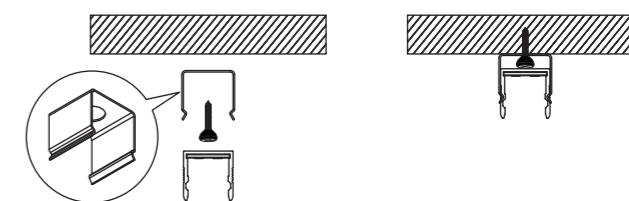
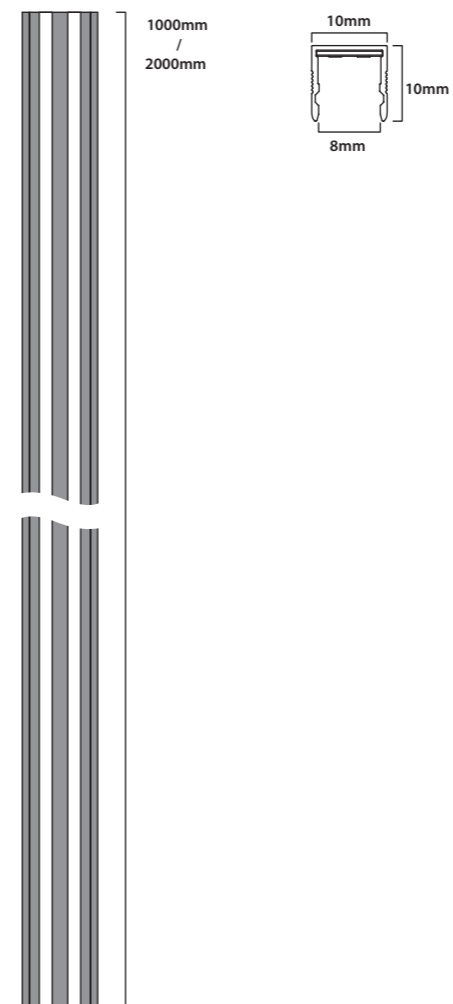


明裝軌道
Surface Mounted Track





CT-1010-C 1M
CT-1010-C 2M



明裝軌道

用途: 明裝式固定安裝
材質: 鋁材
顏色: 黑色
電壓: DC24V
規格: 1000*10*10mm
2000*10*10mm

Surface mounted-track

Use: Surface mounted fixation
Material: Aluminum
Color: Black
Voltage: DC24V
Size: 1000*10*10mm
2000*10*10mm

註: 軌道可任意切割長度 and 轉角, 切割時注意導電條不被磨壞。
Note: The track can be cut to any length and Angle. When cutting, be careful not to wear out the conductive strip.

搭配零件 | Matching parts



軌道末端塞頭
Track end plug



明裝固定扣
Surface track fixing fasteners



直接通電模塊
Direct power module



轉角通電模塊
Angle power module



輸入模塊
Input module



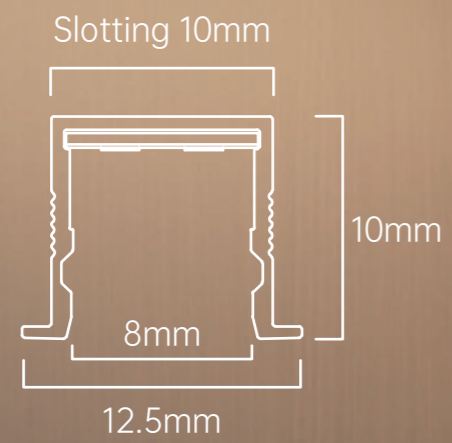
櫥櫃電源
Cabinet Power Supply

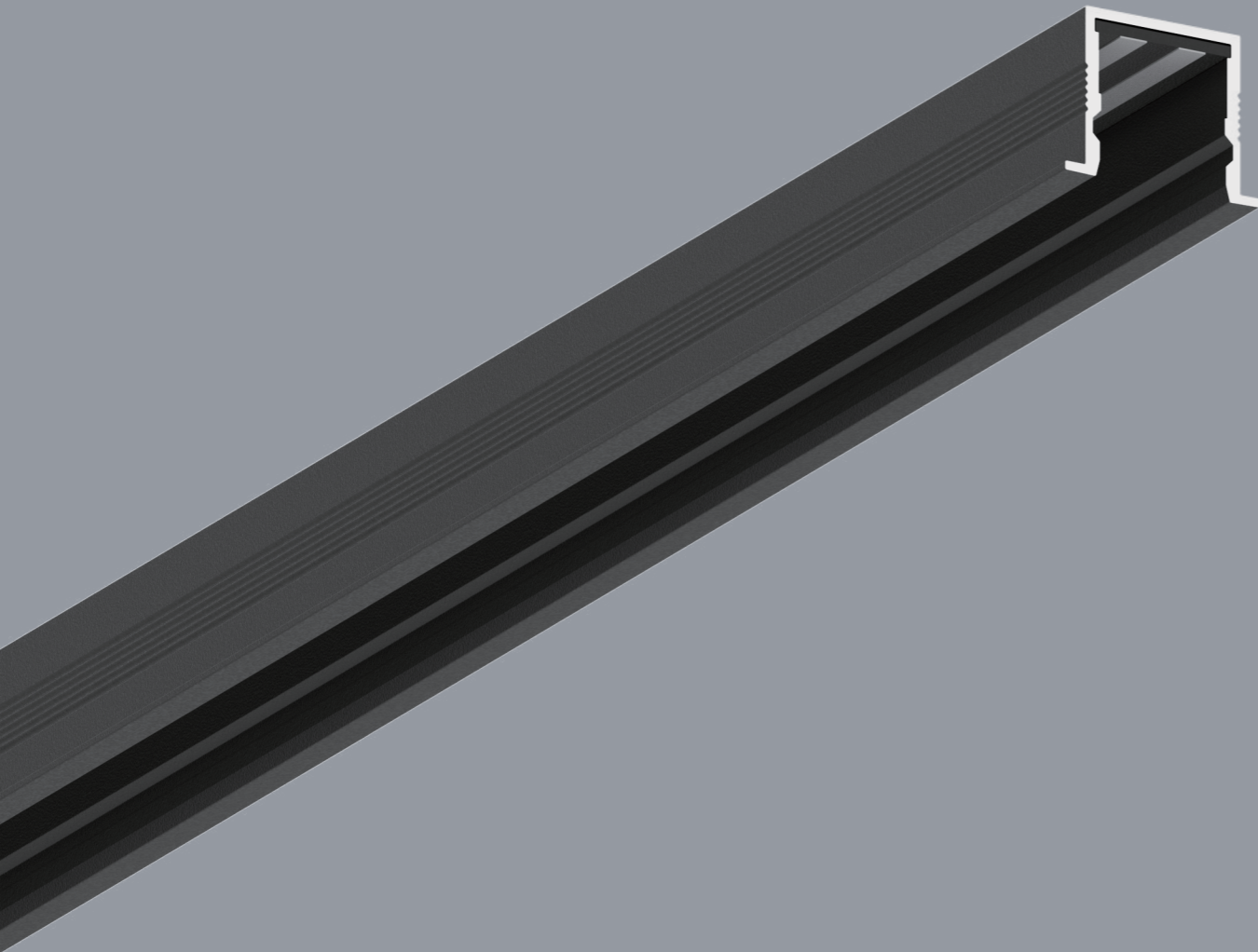
明裝軌道安裝步驟

**Surface mounted-track
Installation step**

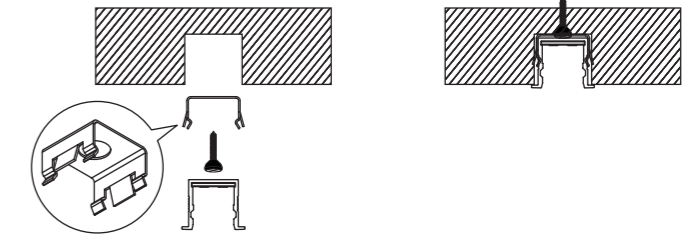
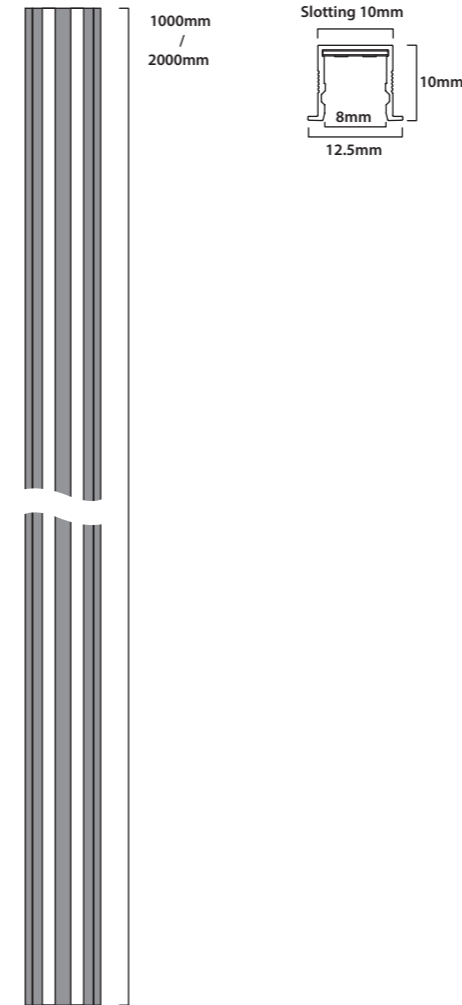


嵌入式軌道 Embedded Track





CT-1010-XZB1M
CT-1010-XZB 2M



嵌入式軌道

用途: 嵌入式固定安裝

材質: 鋁材

顏色: 黑色

電壓: DC24V

規格: 1000*12.5*10mm

2000*12.5*10mm

Embedded track

Use: Embedded fixation

Material: Aluminum

Color: Black

Voltage: DC24V

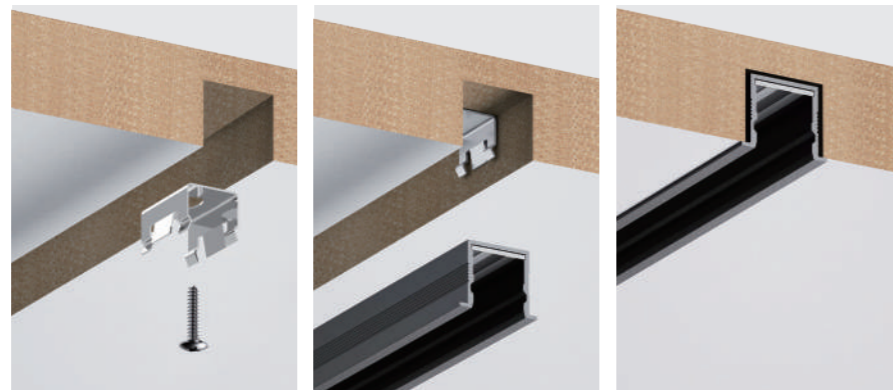
Size: 1000*12.5*10mm

2000*12.5*10mm

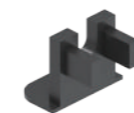
註: 軌道可任意切割長度和轉角, 切割時注意導電條不被磨壞。
Note: The track can be cut to any length and Angle. When cutting, be careful not to wear out the conductive strip.

嵌入式軌道安裝步驟

Embedded track
Installation step



搭配零件 | Matching parts



軌道末端塞頭
Track end plug



暗裝固定扣
Embedded track fixing fastener



直接通電模塊
Direct power module



轉角通電模塊
Angle power module

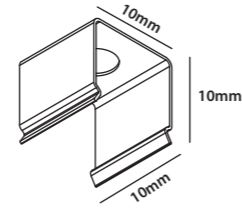
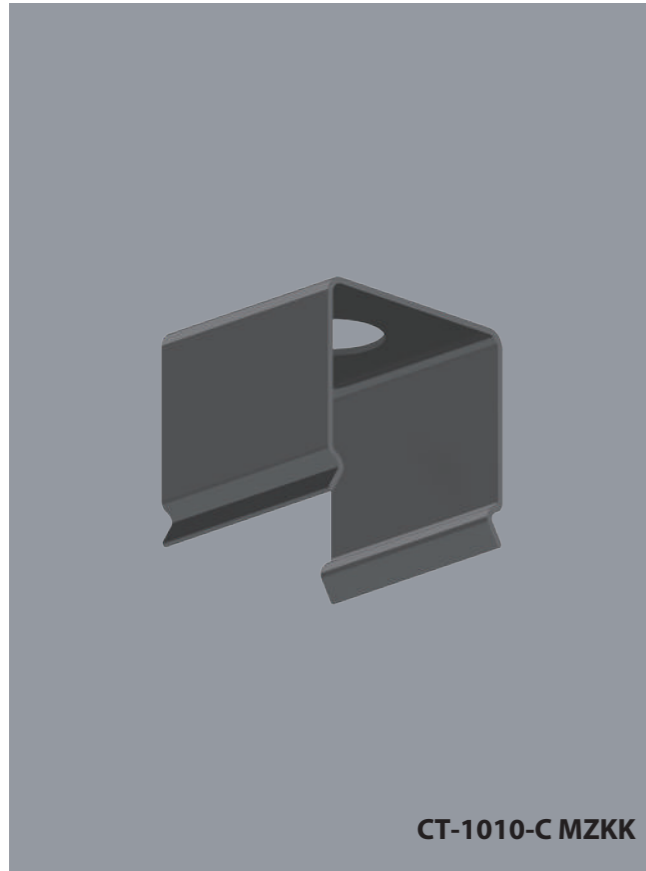


輸入模塊
Input module



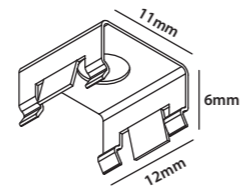
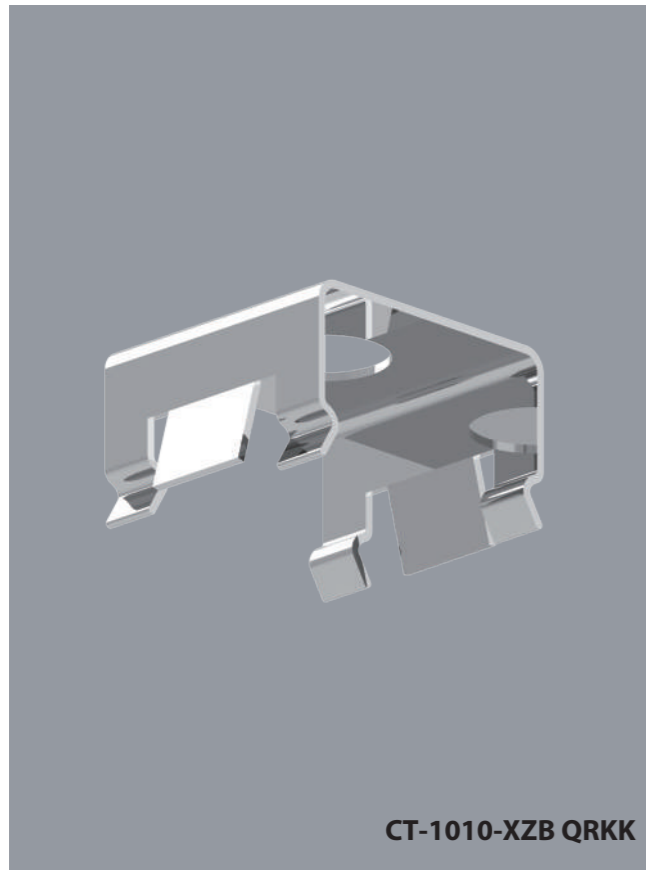
櫥櫃電源
Cabinet Power Supply

搭配零件 | Matching parts



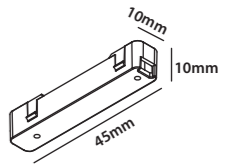
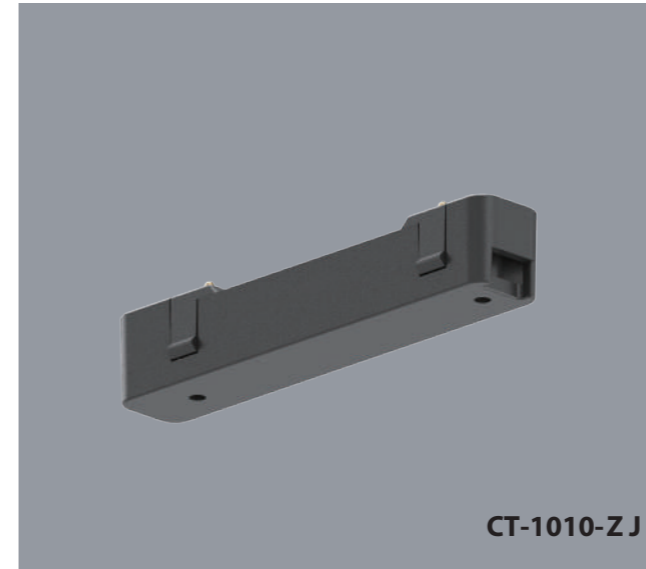
明装固定扣

Surface track fixing fasteners
Use: Fix the ceiling with hardware and press the track onto the hardware.



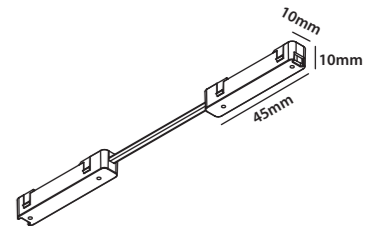
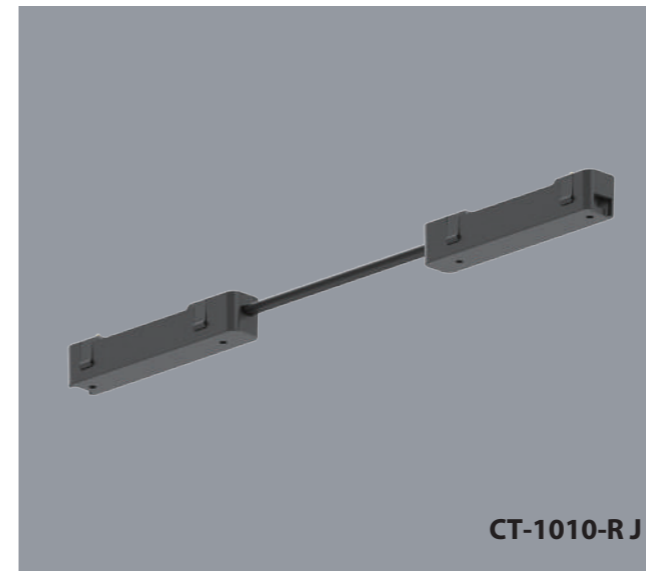
暗装固定扣

Embedded track fixing fastener
Use: Press the hardware buckle onto the track strip, Press together with the track into the wooden groove



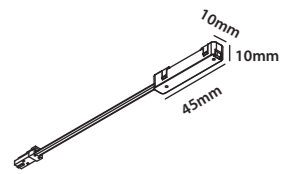
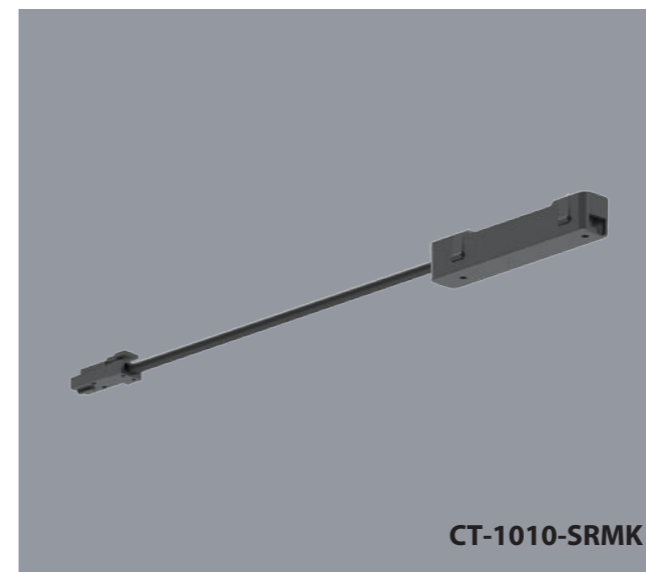
直接通電模塊

Direct power module
Use: "I"Conductive module



轉角通電模塊

Angle power module
Use: Type I bidirectional conductive module

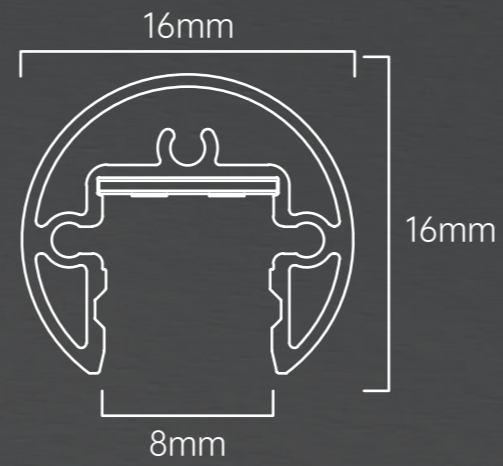


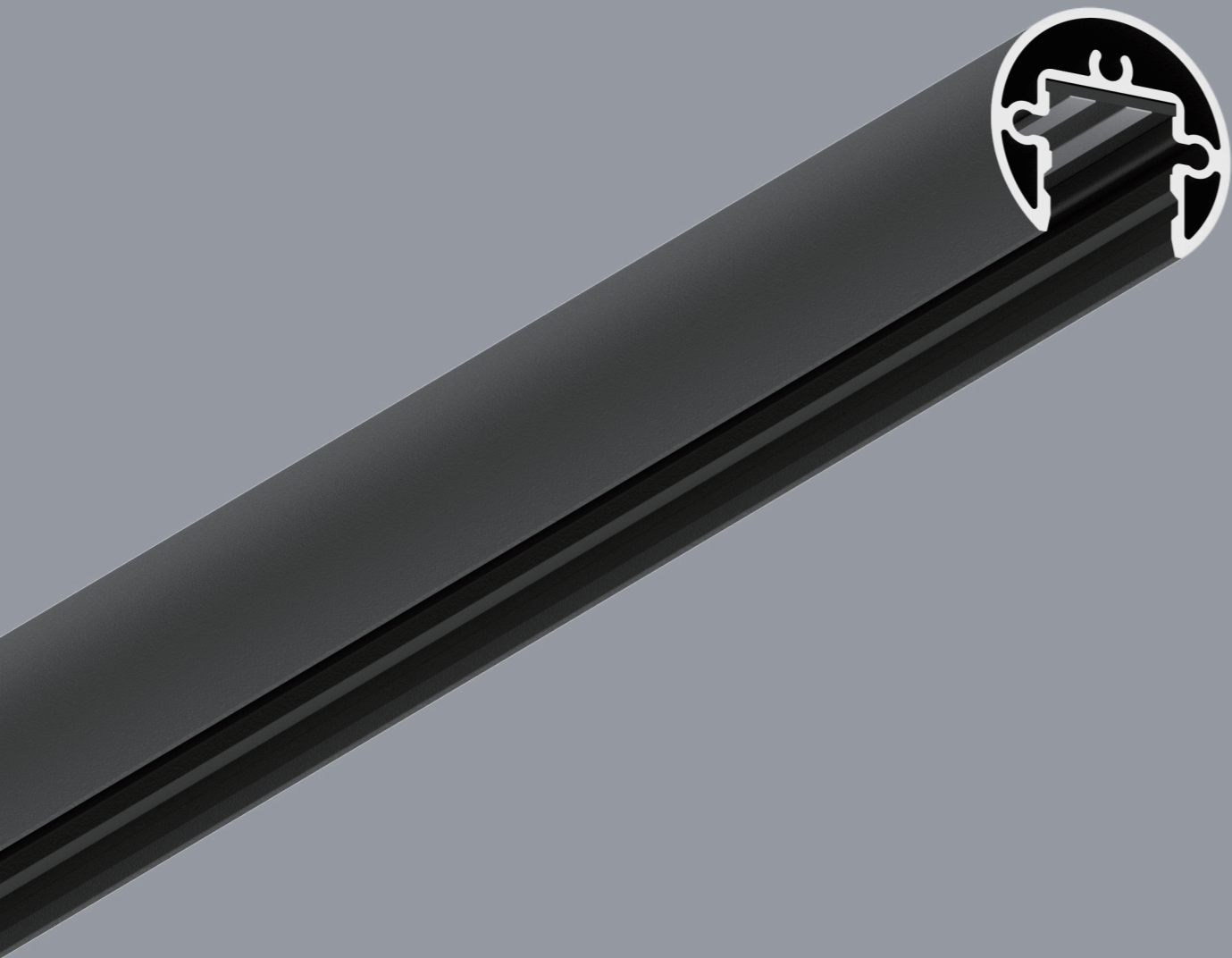
輸入模塊

Input module
Use: The end of the line is connected to the external transformer, Module connected to Track.



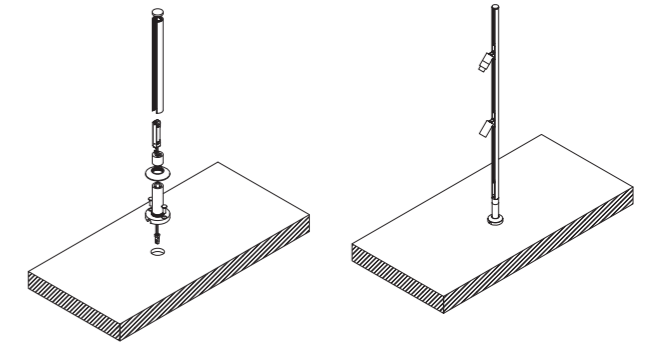
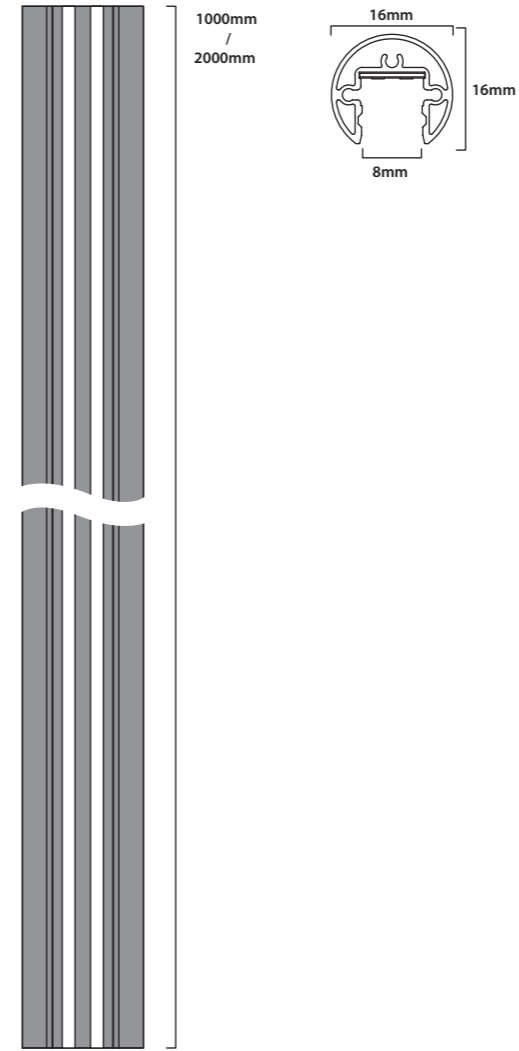
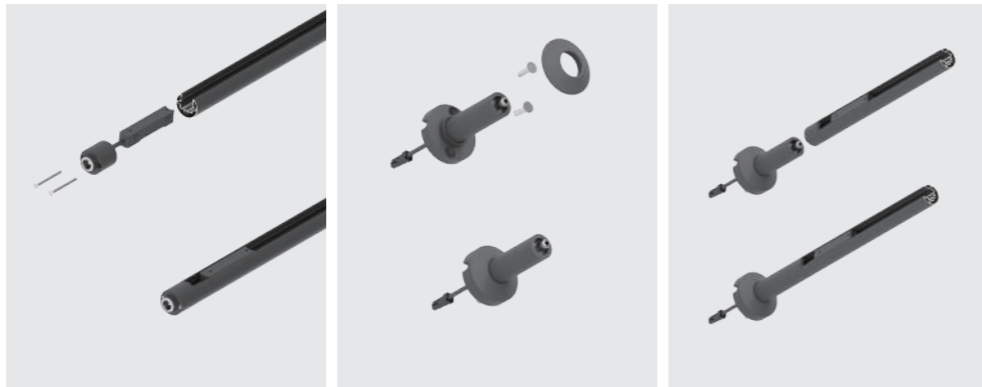
圓形軌道 Circular Track





CT-1010-O1M
CT-1010-O 2M

圓形軌道安裝步驟
Circular track
Installation step



圓形軌道

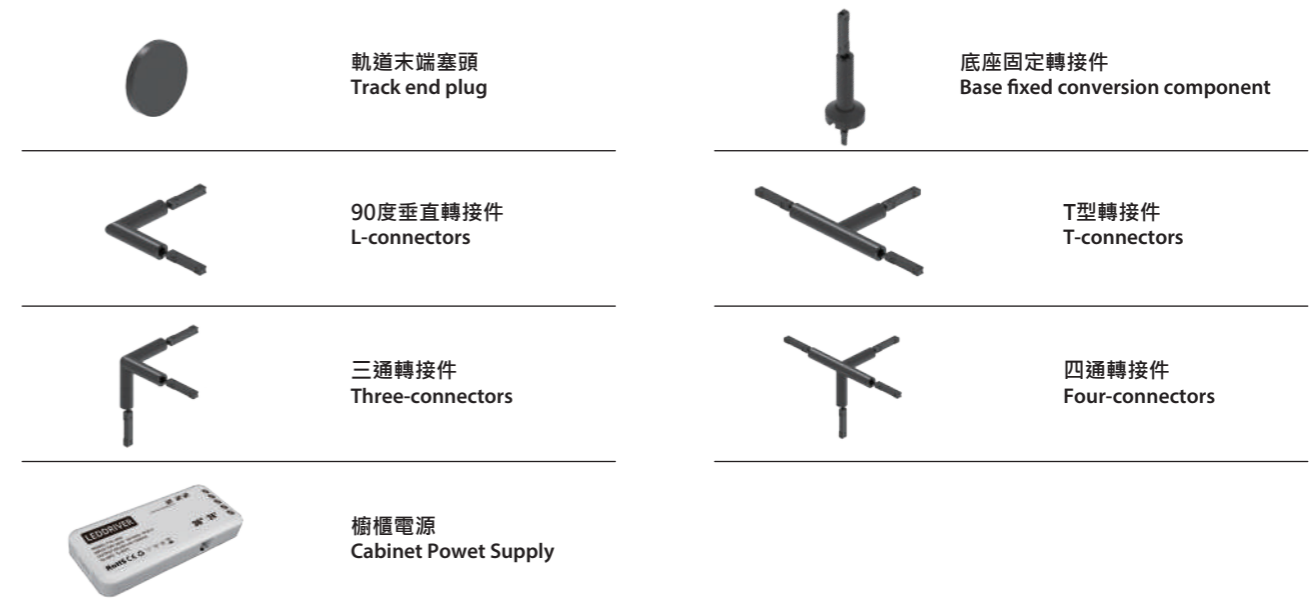
用途: 立桿固定式安裝
材質: 鋁材
顏色: 黑色
電壓: DC24V
規格: 1000*16*16mm
2000*16*16mm

Circular track

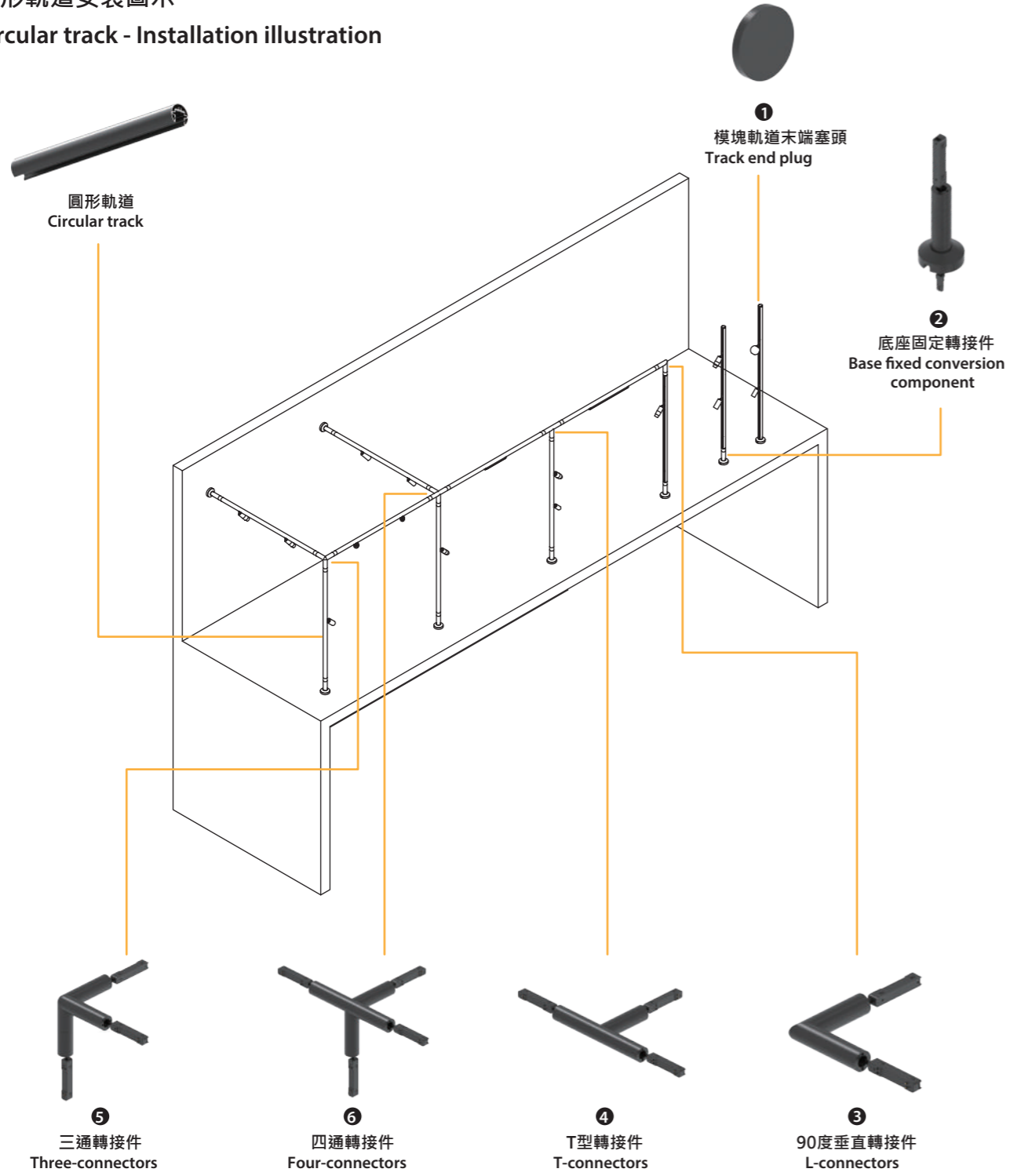
Use: Fixed pole installation
Material: Aluminum
Color: Black
Voltage: DC24V
Size: 1000*16*16mm
2000*16*16mm

註:軌道可任意切割長度和轉角,切割時注意導電條不被磨壞。
Note: The track can be cut to any length and Angle. When cutting, be careful not to wear out the conductive strip.

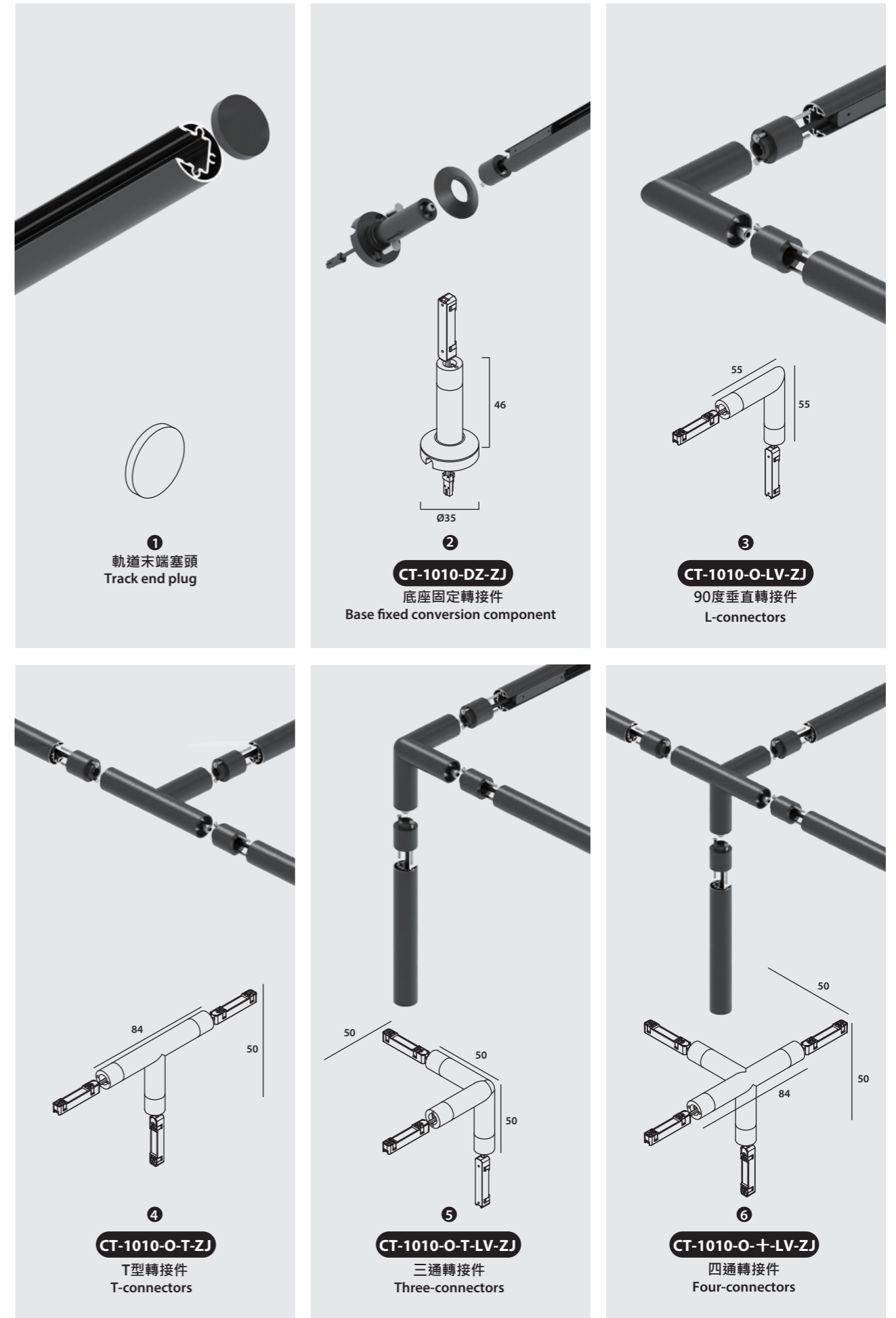
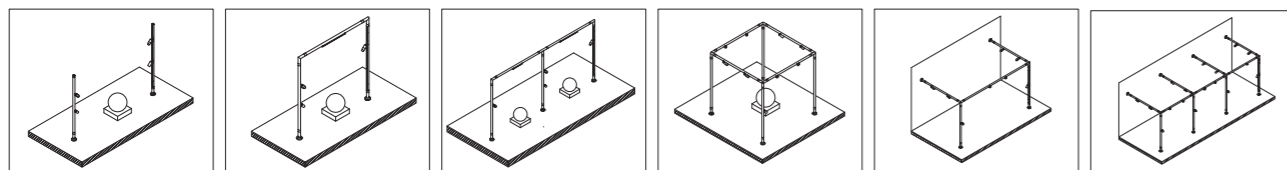
搭配零件 | Matching parts

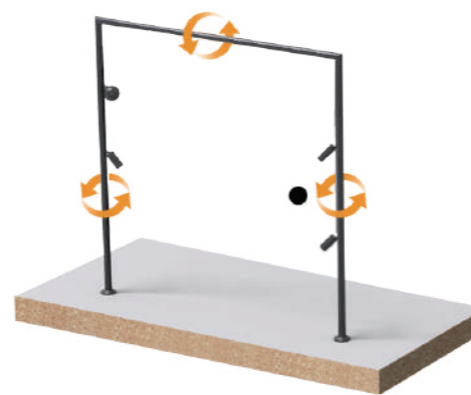
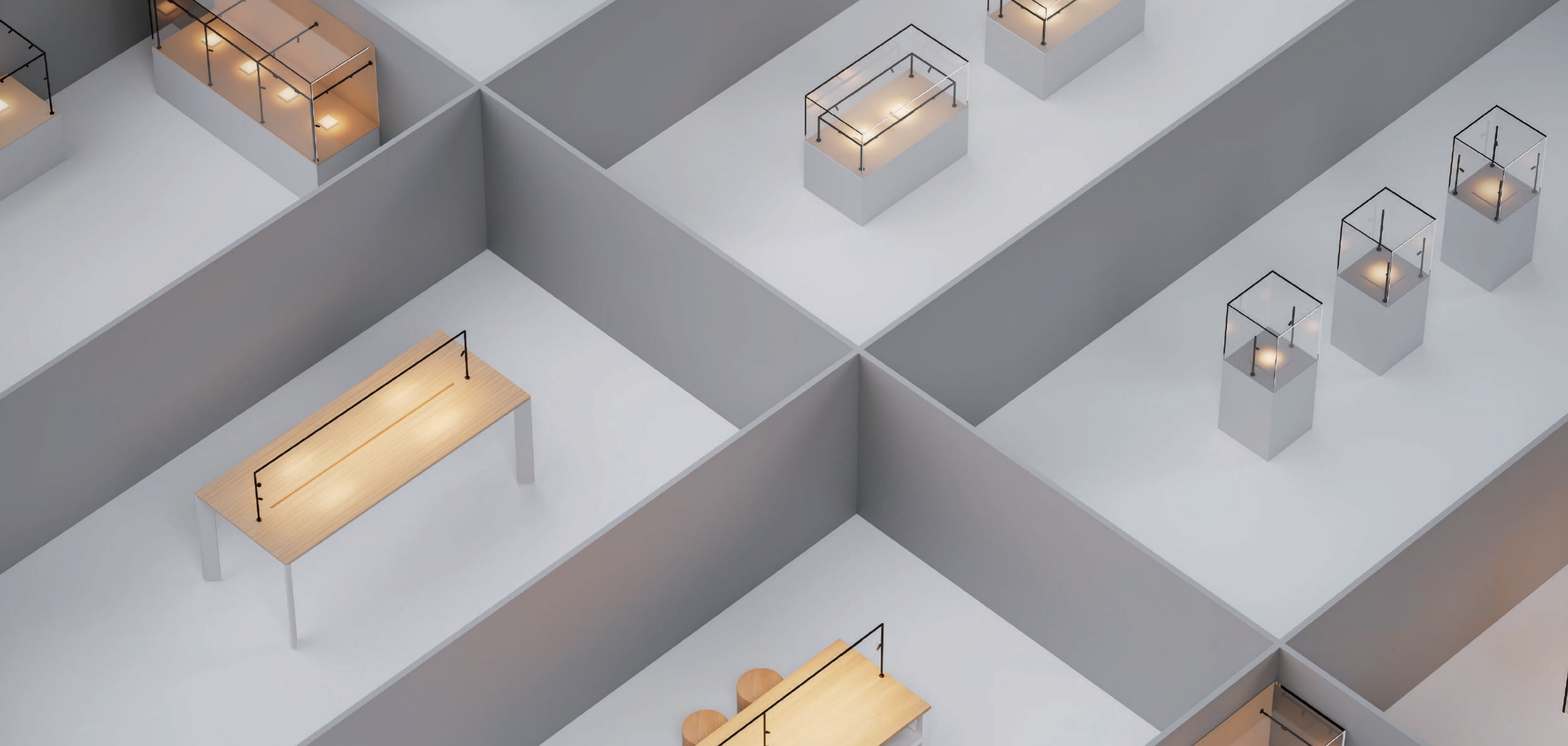


圓形軌道安裝圖示
Circular track - Installation illustration



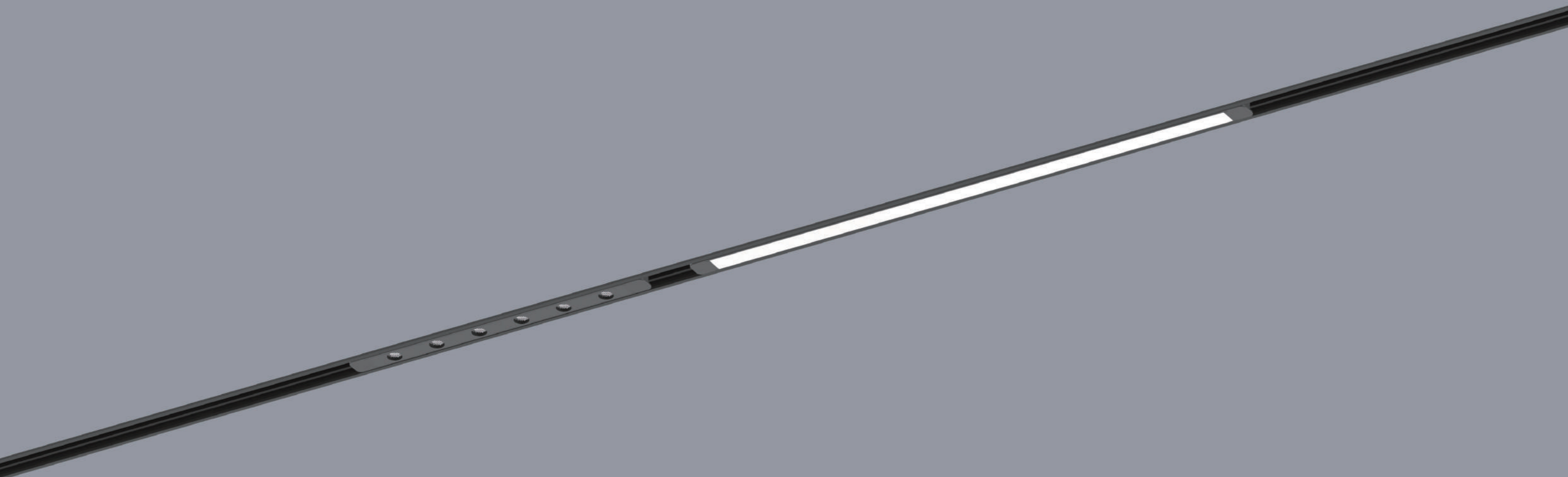
幾種安裝效果 | Several installation effects





**軌道可旋轉設計
實現靈活的照明控制能力**

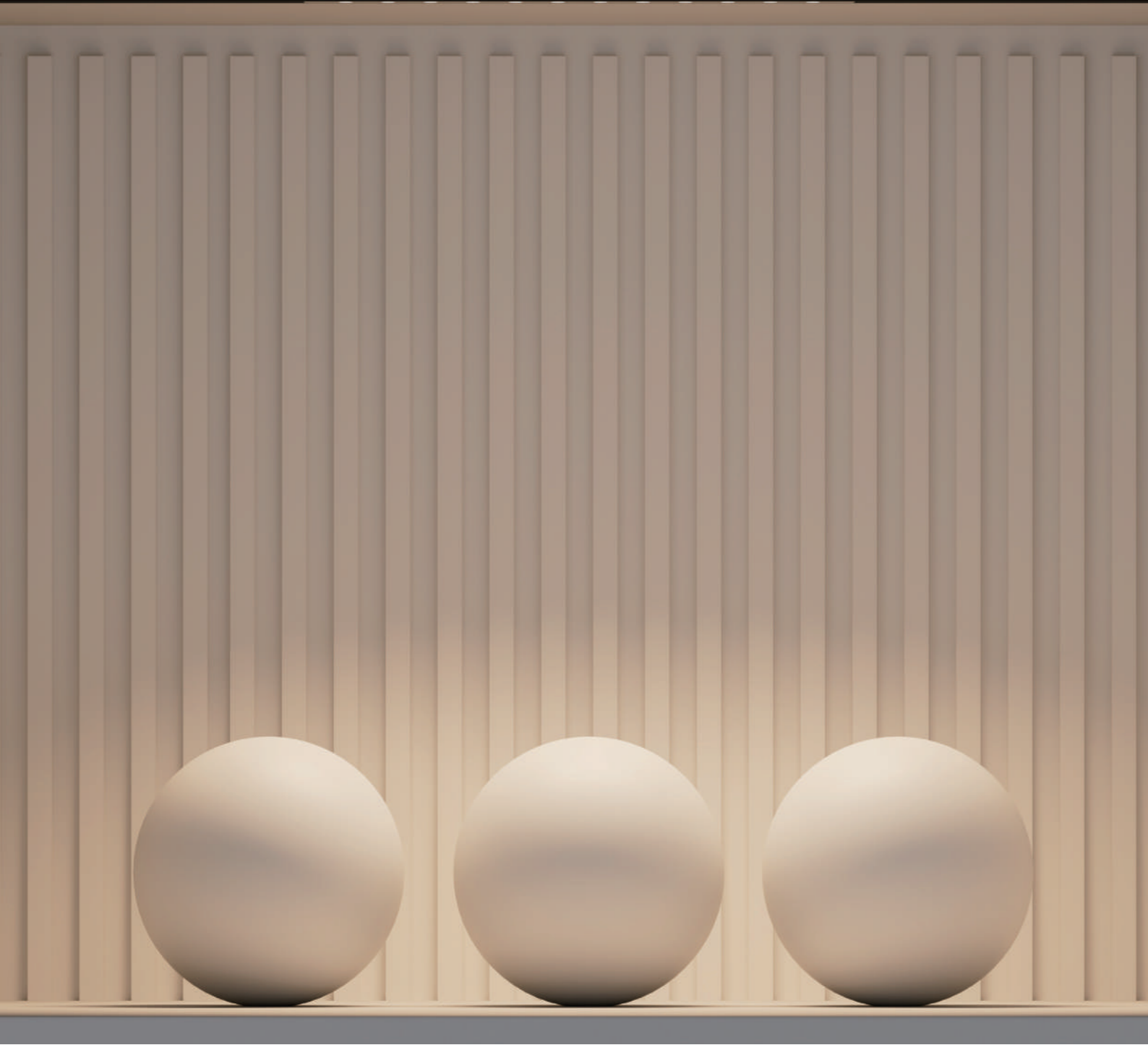
The track can be rotated to adjust the direction. By twisting the track, the direction of the lighting fixtures can be adjusted at will. The advanced visual effect and flexible lighting control ability enable high-end and professional jewelry display.



24V 8MM

CABINET/JEWELRY
MAGNETIC TRACK SYSTEM

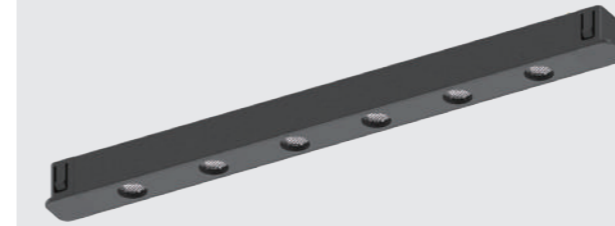
櫃內/珠寶磁吸軌道系統



可搭配軌道系列
Adaptation series tracks

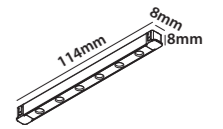


CT-ZB1010-6T



線條格柵燈 | Line grille lamp

| | |
|-----------------|-----------------------|
| 尺寸 Size | L114*W8*H8 mm |
| 功率 Power | 2W |
| 角度 Beam Angle | 45° |
| 色溫 CCT | 3000K / 4000K / 5700K |
| 顯指 CRI 90 | >90 |
| 電壓 Voltage | DC24V |
| 光學 Optics | 透鏡 Lens |
| 材質 Material | 鋁+PC Aluminum+PC |
| 顏色 Body Color | 黑色 Black |

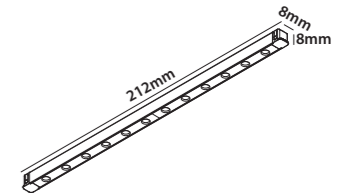


CT-ZB1010-12T



線條格柵燈 | Line grille lamp

| | |
|-----------------|-----------------------|
| 尺寸 Size | L212*W8*H8 mm |
| 功率 Power | 4W |
| 角度 Beam Angle | 45° |
| 色溫 CCT | 3000K / 4000K / 5700K |
| 顯指 CRI 90 | >90 |
| 電壓 Voltage | DC24V |
| 光學 Optics | 透鏡 Lens |
| 材質 Material | 鋁+PC Aluminum+PC |
| 顏色 Body Color | 黑色 Black |

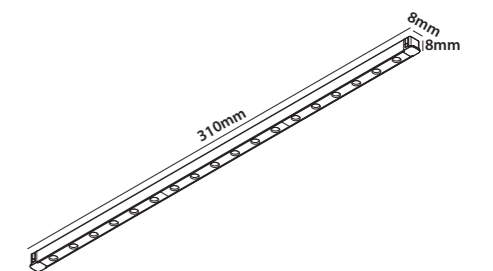


CT-ZB1010-18T



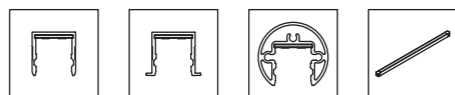
線條格柵燈 | Line grille lamp

| | |
|-----------------|-----------------------|
| 尺寸 Size | L310*W8*H8 mm |
| 功率 Power | 6W |
| 角度 Beam Angle | 45° |
| 色溫 CCT | 3000K / 4000K / 5700K |
| 顯指 CRI 90 | >90 |
| 電壓 Voltage | DC24V |
| 光學 Optics | 透鏡 Lens |
| 材質 Material | 鋁+PC Aluminum+PC |
| 顏色 Body Color | 黑色 Black |

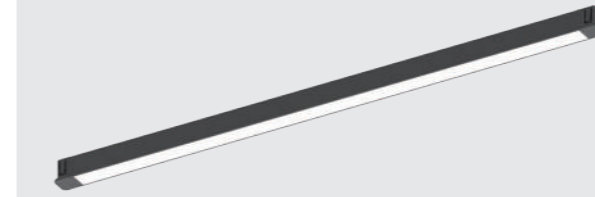




可搭配軌道系列
Adaptation series tracks

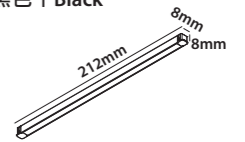


CT-ZB1010-200F

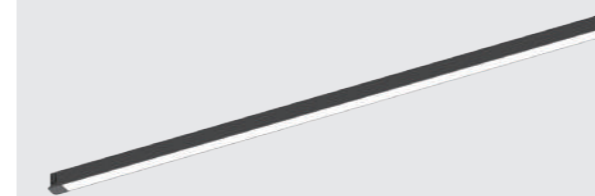


線條泛光燈 | Line floodlight

| | |
|-----------------|-----------------------|
| 尺寸 Size | L212*W8*H8 mm |
| 功率 Power | 4W |
| 角度 Beam Angle | 120° |
| 色溫 CCT | 3000K / 4000K / 5700K |
| 顯指 CRI 90 | >90 |
| 電壓 Voltage | DC24V |
| 光學 Optics | 擴散罩 Diffuser |
| 材質 Material | 鋁+PC Aluminum+PC |
| 顏色 Body Color | 黑色 Black |

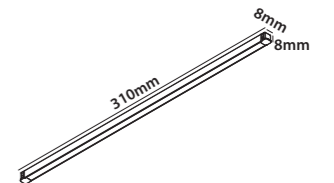


CT-ZB1010-300F



線條泛光燈 | Line floodlight

| | |
|-----------------|-----------------------|
| 尺寸 Size | L310*W8*H8 mm |
| 功率 Power | 6W |
| 角度 Beam Angle | 120° |
| 色溫 CCT | 3000K / 4000K / 5700K |
| 顯指 CRI 90 | >90 |
| 電壓 Voltage | DC24V |
| 光學 Optics | 擴散罩 Diffuser |
| 材質 Material | 鋁+PC Aluminum+PC |
| 顏色 Body Color | 黑色 Black |

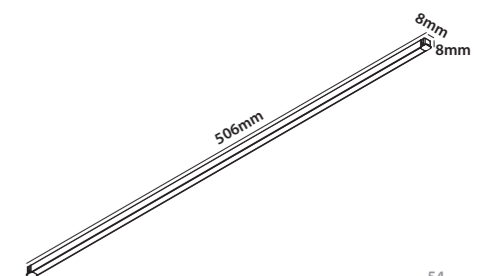


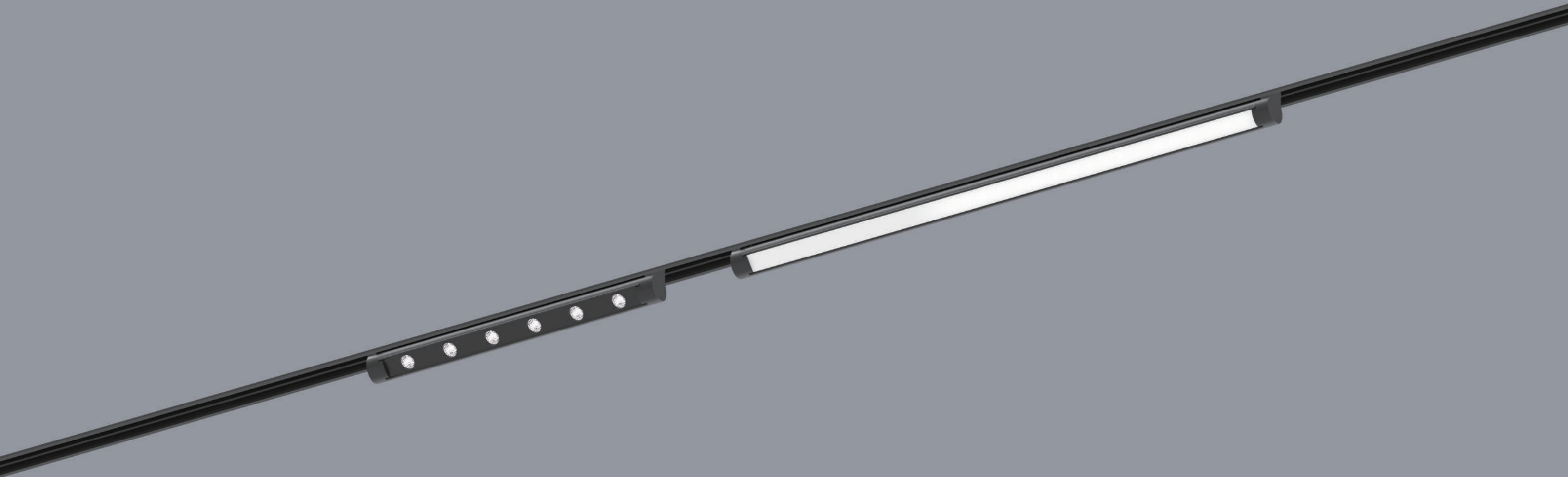
CT-ZB1010-500F



線條泛光燈 | Line floodlight

| | |
|-----------------|-----------------------|
| 尺寸 Size | L506*W8*H8 mm |
| 功率 Power | 10W |
| 角度 Beam Angle | 120° |
| 色溫 CCT | 3000K / 4000K / 5700K |
| 顯指 CRI 90 | >90 |
| 電壓 Voltage | DC24V |
| 光學 Optics | 擴散罩 Diffuser |
| 材質 Material | 鋁+PC Aluminum+PC |
| 顏色 Body Color | 黑色 Black |

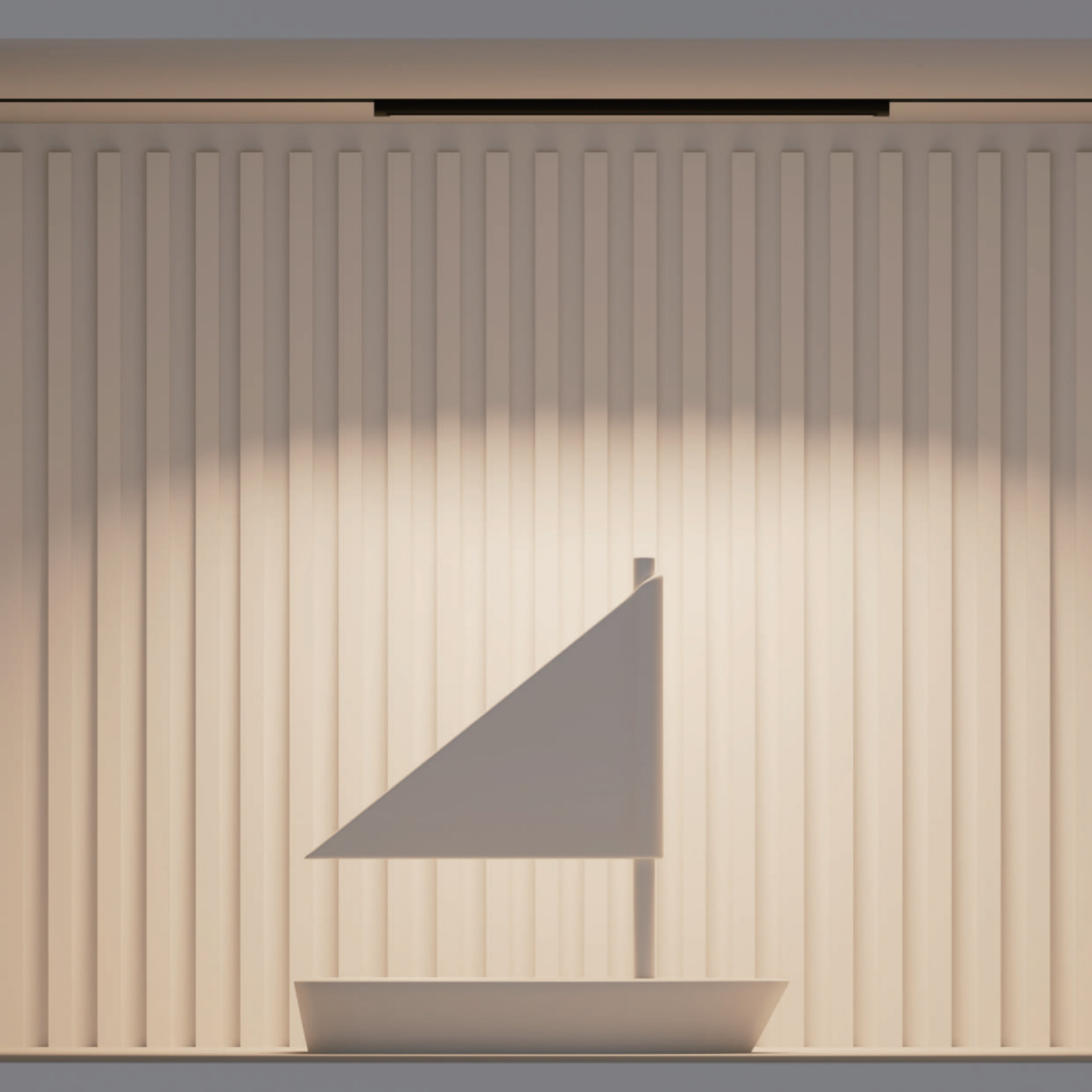




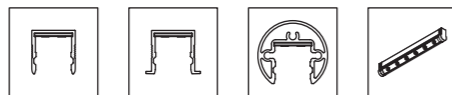
24V 8MM

CABINET/JEWELRY
MAGNETIC TRACK SYSTEM

櫃內/珠寶磁吸軌道系統



可搭配軌道系列
Adaptation series tracks



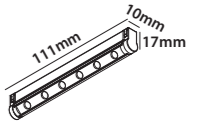
DC24V 8MM

CT-ZB1010-ZD-6T

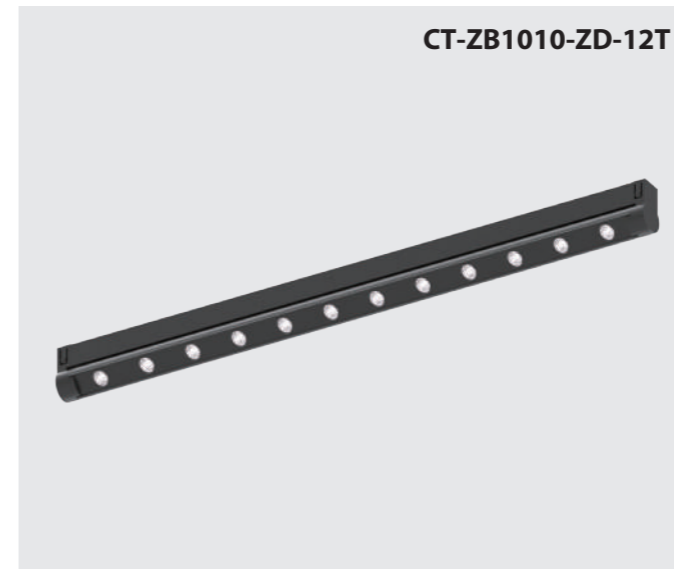


摺疊格柵燈 | Folding grille lamp

| | |
|-----------------|-----------------------|
| 尺寸 Size | L111*W10*H17 mm |
| 功率 Power | 2W |
| 角度 Beam Angle | 45° |
| 色溫 CCT | 3000K / 4000K / 5700K |
| 顯指 CRI 90 | >90 |
| 電壓 Voltage | DC24V |
| 光學 Optics | 透鏡 Lens |
| 材質 Material | 鋁+PC Aluminum+PC |
| 顏色 Body Color | 黑色 Black |

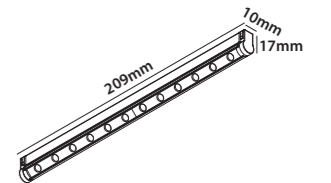
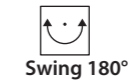


CT-ZB1010-ZD-12T

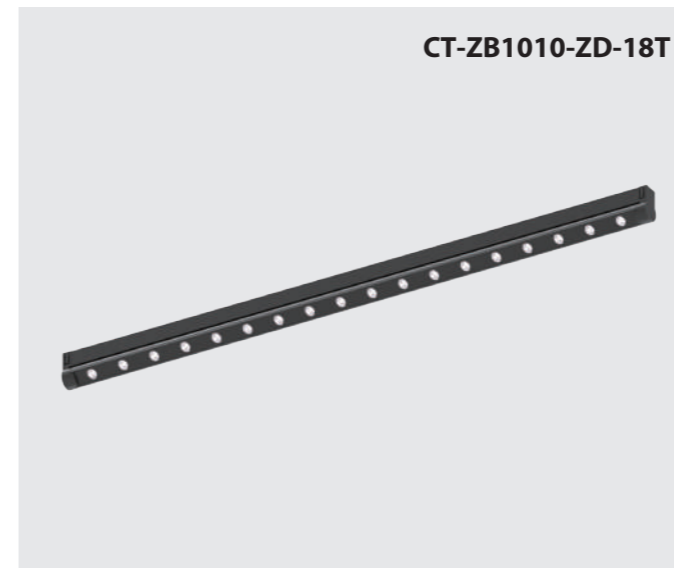


摺疊格柵燈 | Folding grille lamp

| | |
|-----------------|-----------------------|
| 尺寸 Size | L209*W10*H17 mm |
| 功率 Power | 4W |
| 角度 Beam Angle | 45° |
| 色溫 CCT | 3000K / 4000K / 5700K |
| 顯指 CRI 90 | >90 |
| 電壓 Voltage | DC24V |
| 光學 Optics | 透鏡 Lens |
| 材質 Material | 鋁+PC Aluminum+PC |
| 顏色 Body Color | 黑色 Black |

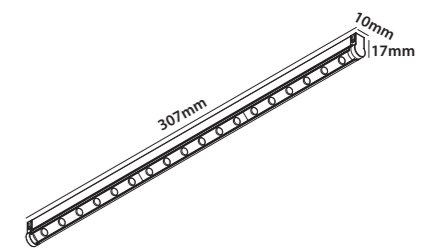


CT-ZB1010-ZD-18T



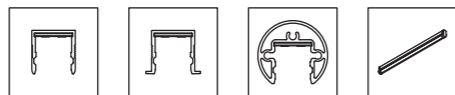
摺疊格柵燈 | Folding grille lamp

| | |
|-----------------|-----------------------|
| 尺寸 Size | L307*W10*H17 mm |
| 功率 Power | 6W |
| 角度 Beam Angle | 45° |
| 色溫 CCT | 3000K / 4000K / 5700K |
| 顯指 CRI 90 | >90 |
| 電壓 Voltage | DC24V |
| 光學 Optics | 透鏡 Lens |
| 材質 Material | 鋁+PC Aluminum+PC |
| 顏色 Body Color | 黑色 Black |





可搭配軌道系列
Adaptation series tracks



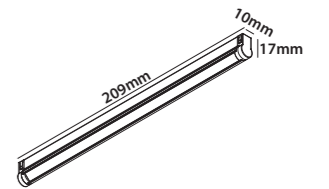
DC24V 8MM

CT-ZB1010-ZD-200F



摺疊泛光燈 | Folding floodlight

| | |
|-----------------|-----------------------|
| 尺寸 Size | L209*W10*H17 mm |
| 功率 Power | 4W |
| 角度 Beam Angle | 120° |
| 色溫 CCT | 3000K / 4000K / 5700K |
| 顯指 CRI 90 | >90 |
| 電壓 Voltage | DC24V |
| 光學 Optics | 擴散罩 Diffuser |
| 材質 Material | 鋁+PC Aluminum+PC |
| 顏色 Body Color | 黑色 Black |

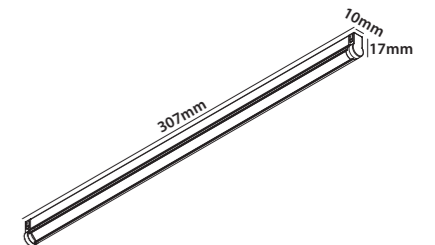


CT-ZB1010-ZD-300F



摺疊泛光燈 | Folding floodlight

| | |
|-----------------|-----------------------|
| 尺寸 Size | L307*W10*H17 mm |
| 功率 Power | 6W |
| 角度 Beam Angle | 120° |
| 色溫 CCT | 3000K / 4000K / 5700K |
| 顯指 CRI 90 | >90 |
| 電壓 Voltage | DC24V |
| 光學 Optics | 擴散罩 Diffuser |
| 材質 Material | 鋁+PC Aluminum+PC |
| 顏色 Body Color | 黑色 Black |

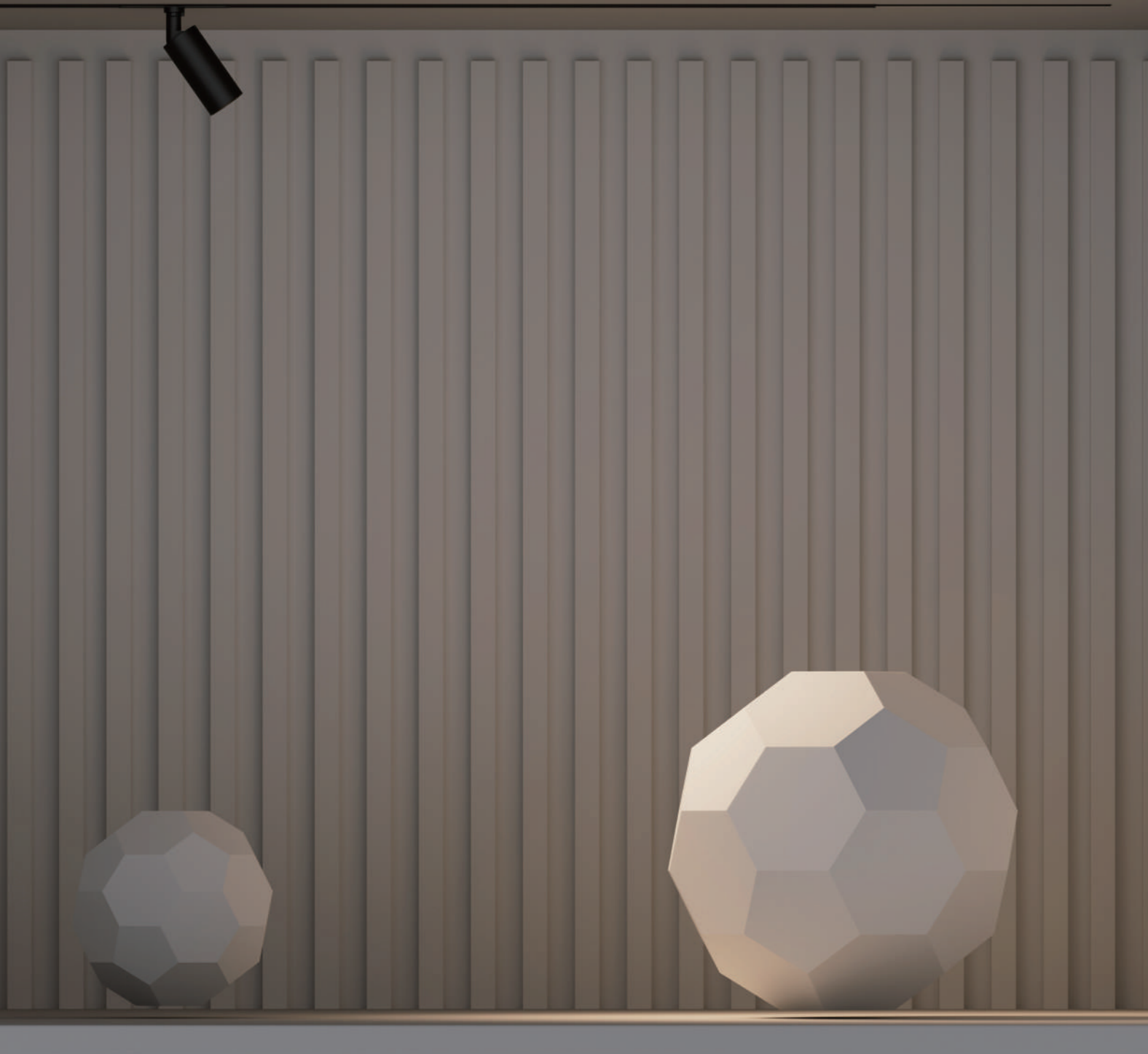




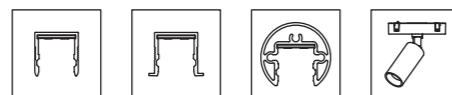
24V 8MM

CABINET/JEWELRY
MAGNETIC TRACK SYSTEM

櫃內/珠寶磁吸軌道系統



可搭配軌道系列
Adaptation series tracks

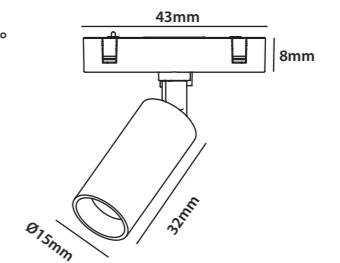
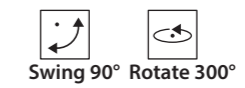


CT-ZB1010-L15



軌道燈 | Track light

| | |
|-----------------|-----------------------|
| 尺寸 Size | Ø15*L32 mm |
| 功率 Power | 1.5W |
| 角度 Beam Angle | 24° |
| 色溫 CCT | 3000K / 4000K / 5700K |
| 顯指 CRI 90 | >90 |
| 電壓 Voltage | DC24V |
| 光學 Optics | 透鏡 Lens |
| 材質 Material | 鋁+PC Aluminum+PC |
| 顏色 Body Color | 黑色 Black |

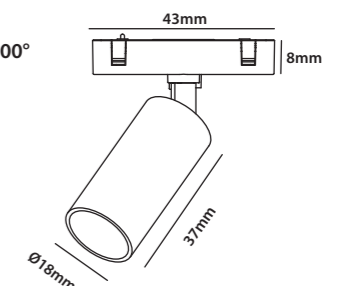
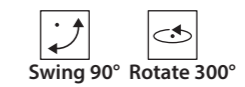


CT-ZB1010-L18



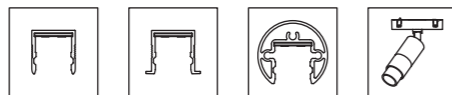
軌道燈 | Track light

| | |
|-----------------|-----------------------|
| 尺寸 Size | Ø18*L37 mm |
| 功率 Power | 2.5W |
| 角度 Beam Angle | 24° |
| 色溫 CCT | 3000K / 4000K / 5700K |
| 顯指 CRI 90 | >90 |
| 電壓 Voltage | DC24V |
| 光學 Optics | 透鏡 Lens |
| 材質 Material | 鋁+PC Aluminum+PC |
| 顏色 Body Color | 黑色 Black |





可搭配軌道系列
Adaptation series tracks

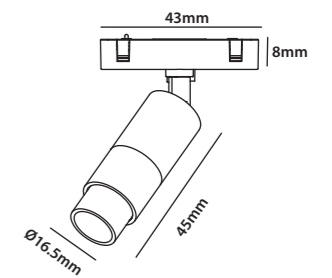
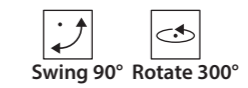


CT-ZB1010-TJL16



調焦軌道燈 | Focusing track light

| | |
|-----------------|-----------------------|
| 尺寸 Size | Ø16.5*L45 mm |
| 功率 Power | 1.5W |
| 角度 Beam Angle | 15°- 55° |
| 色溫 CCT | 3000K / 4000K / 5700K |
| 顯指 CRI 90 | >90 |
| 電壓 Voltage | DC24V |
| 光學 Optics | 透鏡 Lens |
| 材質 Material | 鋁+PC Aluminum+PC |
| 顏色 Body Color | 黑色 Black |

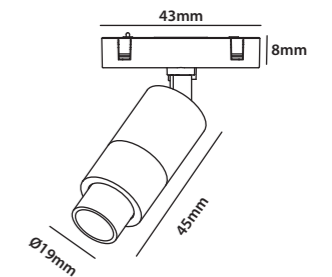
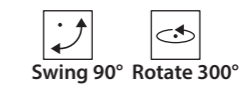


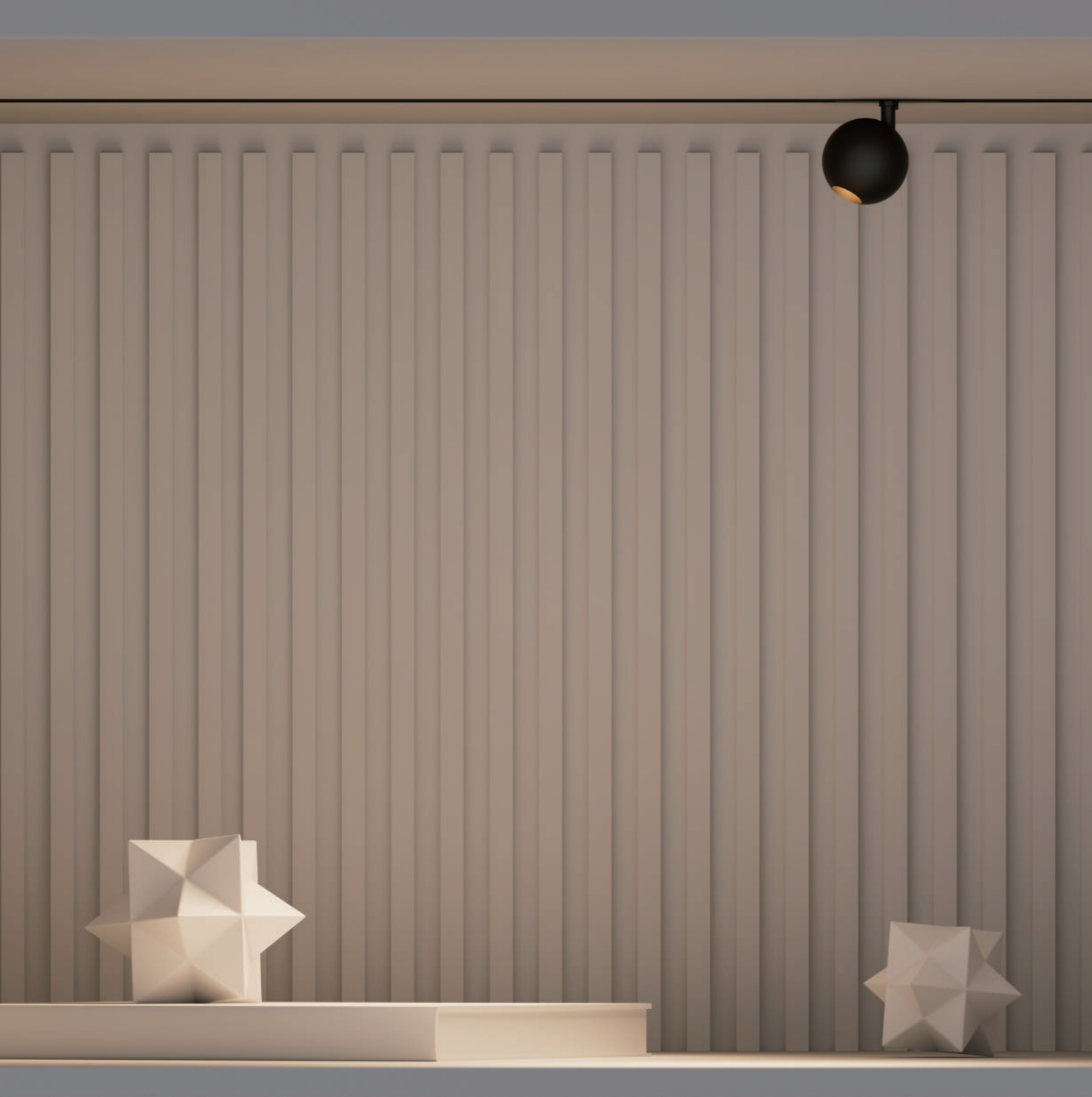
CT-ZB1010-TJL19



調焦軌道燈 | Focusing track light

| | |
|-----------------|-----------------------|
| 尺寸 Size | Ø19*L45 mm |
| 功率 Power | 2.5W |
| 角度 Beam Angle | 15°- 55° |
| 色溫 CCT | 3000K / 4000K / 5700K |
| 顯指 CRI 90 | >90 |
| 電壓 Voltage | DC24V |
| 光學 Optics | 透鏡 Lens |
| 材質 Material | 鋁+PC Aluminum+PC |
| 顏色 Body Color | 黑色 Black |

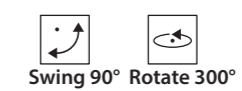




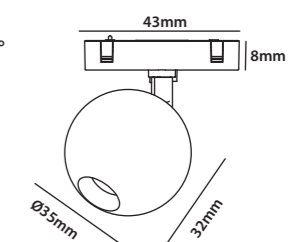
CT-ZB1010-Q35

軌道保齡球燈 | Track Bowling Lamp

| | |
|-----------------|-----------------------|
| 尺寸 Size | Ø35*L32 mm |
| 功率 Power | 2.5W |
| 角度 Beam Angle | 24° |
| 色溫 CCT | 3000K / 4000K / 5700K |
| 顯指 CRI 90 | >90 |
| 電壓 Voltage | DC24V |
| 光學 Optics | 透鏡 Lens |
| 材質 Material | 鋁+PC Aluminum+PC |
| 顏色 Body Color | 黑色 Black |



Swing 90° Rotate 300°



可搭配軌道系列
Adaptation series tracks

